

INBOARD AND OUTBOARD STRUT ACCESS DOOR ASSEMBLY

PART NUMBERS 313T5340-5 THRU -8,-15 THRU -18,
-23 THRU -26

COMPONENT MAINTENANCE MANUAL
WITH
ILLUSTRATED PARTS LIST

54-53-03

TITLE PAGE

Page 1

Mar 01/04

01



REVISION RECORD

- Retain this record in front of manual. On receipt of revision, insert revised pages in the manual, and enter revision number, date inserted and initial.

REVISION NUMBER	REVISION DATE	DATE FILED	BY	REVISION NUMBER	REVISION DATE	DATE FILED	BY

54-53-03

REVISION RECORD

01

Page 1

Mar 01/04

TEMPORARY REVISION AND SERVICE BULLETIN RECORD

BOEING SERVICE BULLETIN	BOEING TEMPORARY REVISION	OTHER DIRECTIVE	DATE OF INCORPORATION INTO MANUAL
		PRR B13T00-13	MAR 01/04

54-53-03

TR & SB RECORD

01

Page 1

Mar 01/04


BOEING
 COMPONENT
 MAINTENANCE MANUAL

PAGE	DATE	CODE	PAGE	DATE	CODE
54-53-03			REPAIR 1-1		
			*601	MAR 01/04	01
			*602	MAR 01/04	01
TITLE PAGE			REPAIR 2-1		
*1	MAR 01/04	01	*601	MAR 01/04	01
*2	BLANK		*602	MAR 01/04	01
REVISION RECORD			*603	MAR 01/04	01
*1	MAR 01/04	01	*604	BLANK	
*2	BLANK		REPAIR 2-2		
TR & SB RECORD			*601	MAR 01/04	01
*1	MAR 01/04	01	*602	BLANK	
*2	BLANK		FITS AND CLEARANCES		
LIST OF EFFECTIVE PAGES			*801	MAR 01/04	01
*1	MAR 01/04	01	*802	MAR 01/04	01
THRU LAST PAGE			ILLUSTRATED PARTS LIST		
CONTENTS			*1001	MAR 01/04	01
*1	MAR 01/04	01	*1002	MAR 01/04	01
*2	BLANK		*1003	MAR 01/04	01
INTRODUCTION			*1004	MAR 01/04	01
*1	MAR 01/04	01	*1005	MAR 01/04	01
*2	BLANK		*1006	MAR 01/04	01
DESCRIPTION & OPERATION			*1007	MAR 01/04	01
*1	MAR 01/04	01	*1008	MAR 01/04	01
*2	MAR 01/04	01	*1009	MAR 01/04	01
CLEANING			*1010	MAR 01/04	01
*401	MAR 01/04	01	*1011	MAR 01/04	01
*402	BLANK		*1012	MAR 01/04	01
CHECK			*1013	MAR 01/04	01
*501	MAR 01/04	01	*1014	MAR 01/04	01
*502	MAR 01/04	01	*1015	MAR 01/04	01
REPAIR-GENERAL			*1016	MAR 01/04	01
*601	MAR 01/04	01	*1017	MAR 01/04	01
*602	MAR 01/04	01	*1018	MAR 01/04	01
			*1019	MAR 01/04	01
			*1020	MAR 01/04	01
			*1021	MAR 01/04	01
			*1022	MAR 01/04	01
			*1023	MAR 01/04	01
			*1024	MAR 01/04	01

* = REVISED, ADDED OR DELETED

54-53-03

EFFECTIVE PAGES

CONTINUED Page 1

01 Mar 01/04

PAGE	DATE	CODE	PAGE	DATE	CODE
ILLUSTRATED PARTS LIST		CONT.	ILLUSTRATED PARTS LIST		CONT.
*1025	MAR 01/04	01	*1067	MAR 01/04	01
*1026	MAR 01/04	01	*1068	MAR 01/04	01
*1027	MAR 01/04	01	*1069	MAR 01/04	01
*1028	MAR 01/04	01	*1070	MAR 01/04	01
*1029	MAR 01/04	01	*1071	MAR 01/04	01
*1030	MAR 01/04	01	*1072	MAR 01/04	01
*1031	MAR 01/04	01	*1073	MAR 01/04	01
*1032	MAR 01/04	01	*1074	MAR 01/04	01
*1033	MAR 01/04	01	*1075	MAR 01/04	01
*1034	MAR 01/04	01	*1076	MAR 01/04	01
*1035	MAR 01/04	01	*1077	MAR 01/04	01
*1036	MAR 01/04	01	*1078	MAR 01/04	01
*1037	MAR 01/04	01	*1079	BLANK	
*1038	MAR 01/04	01	*1080	MAR 01/04	01
*1039	MAR 01/04	01	*1080A	MAR 01/04	01
*1040	MAR 01/04	01	*1080B	MAR 01/04	01
*1041	MAR 01/04	01	*1080C	MAR 01/04	01
*1042	MAR 01/04	01	*1080D	MAR 01/04	01
*1043	MAR 01/04	01	*1080E	MAR 01/04	01
*1044	MAR 01/04	01	*1080F	MAR 01/04	01
*1045	MAR 01/04	01	*1080G	MAR 01/04	01
*1046	MAR 01/04	01	*1080H	MAR 01/04	01
*1047	MAR 01/04	01	*1080I	MAR 01/04	01
*1048	MAR 01/04	01	*1080J	MAR 01/04	01
*1049	MAR 01/04	01	*1080K	MAR 01/04	01
*1050	MAR 01/04	01	*1080L	MAR 01/04	01
*1051	MAR 01/04	01	*1080M	MAR 01/04	01
*1052	MAR 01/04	01	*1080N	MAR 01/04	01
*1053	MAR 01/04	01	*1080O	MAR 01/04	01
*1054	MAR 01/04	01	*1080P	MAR 01/04	01
*1055	MAR 01/04	01	*1080Q	MAR 01/04	01
*1056	MAR 01/04	01	*1080R	MAR 01/04	01
*1057	MAR 01/04	01	*1080S	MAR 01/04	01
*1058	MAR 01/04	01	*1080T	MAR 01/04	01
*1059	MAR 01/04	01	*1080U	MAR 01/04	01
*1060	MAR 01/04	01	*1080V	MAR 01/04	01
*1061	MAR 01/04	01	*1080W	BLANK	
*1062	MAR 01/04	01	*1080X	MAR 01/04	01
*1063	MAR 01/04	01	*1080Y	MAR 01/04	01
*1064	MAR 01/04	01	*1080Z	MAR 01/04	01
*1065	MAR 01/04	01			
*1066	MAR 01/04	01			

* = REVISED, ADDED OR DELETED

54-53-03

EFFECTIVE PAGES
LAST PAGE Page 2
01 Mar 01/04



TABLE OF CONTENTS

<u>Paragraph Title</u>	<u>Page</u>
Description and Operation	1
Testing and Trouble Shooting (not applicable)	
Disassembly (not applicable)	
Cleaning.	401
Check	501
Repair.	601
Assembly (not applicable)	
Fits and Clearances	801
Special Tools (not applicable)	
Illustrated Parts List.	1001
*[1] Special instructions not required. Use standard industry practices.	

54-53-03

01

CONTENTS
Page 1
Mar 01/04



INTRODUCTION

The instructions in this manual provide the information necessary to perform maintenance functions ranging from simple checks and replacement to complete shop-type repair.

This manual is divided into separate sections:

- | | |
|--|------------------------------|
| 1. Title Page | 4. List of Effective Pages |
| 2. Record of Revisions | 5. Table of Contents |
| 3. Temporary Revision &
Service Bulletin Record | 6. Introduction |
| | 7. Procedures & IPL Sections |

Refer to the Table of Contents for the page location of applicable sections.

The beginning of the REPAIR section includes a list of the separate repairs, a list of applicable standard Boeing practices, and an explanation of the True Position Dimensioning symbols used.

An explanation of the use of the Illustrated Parts List is provided in the Introduction to that section.

All weights and measurements used in the manual are in English units, unless otherwise stated. When metric equivalents are given they will be in parentheses following the English units.

Design changes, optional parts, configuration differences and Service Bulletin modifications create alternate part numbers. These are identified in the Illustrated Parts List (IPL) by adding an alphabetical character to the basic item number. The resulting item number is called an alpha-variant. Throughout the manual, IPL basic item number references also apply to alpha-variants unless otherwise indicated.

54-53-03

INTRODUCTION

01

Page 1

Mar 01/04



AFT FAIRING STRUT ACCESS DOOR ASSEMBLY
DESCRIPTION AND OPERATION

1. Description

- A. This component maintenance manual is for repair of the aft fairing strut access door assembly. The strut aft fairing access door assembly consists of hinge assemblies, latches, hold-open, rod assembly, and a composite door panel assembly.

2. Operation

- A. The access door assembly is non-operational by itself. The door assembly provides access to the strut attachment points and systems within the strut.

3. Leading Particulars (approximate)

- A. Length -- 78 inches
B. Width -- 18 inches
C. Height -- 5 inches
D. Weight -- 30 pounds

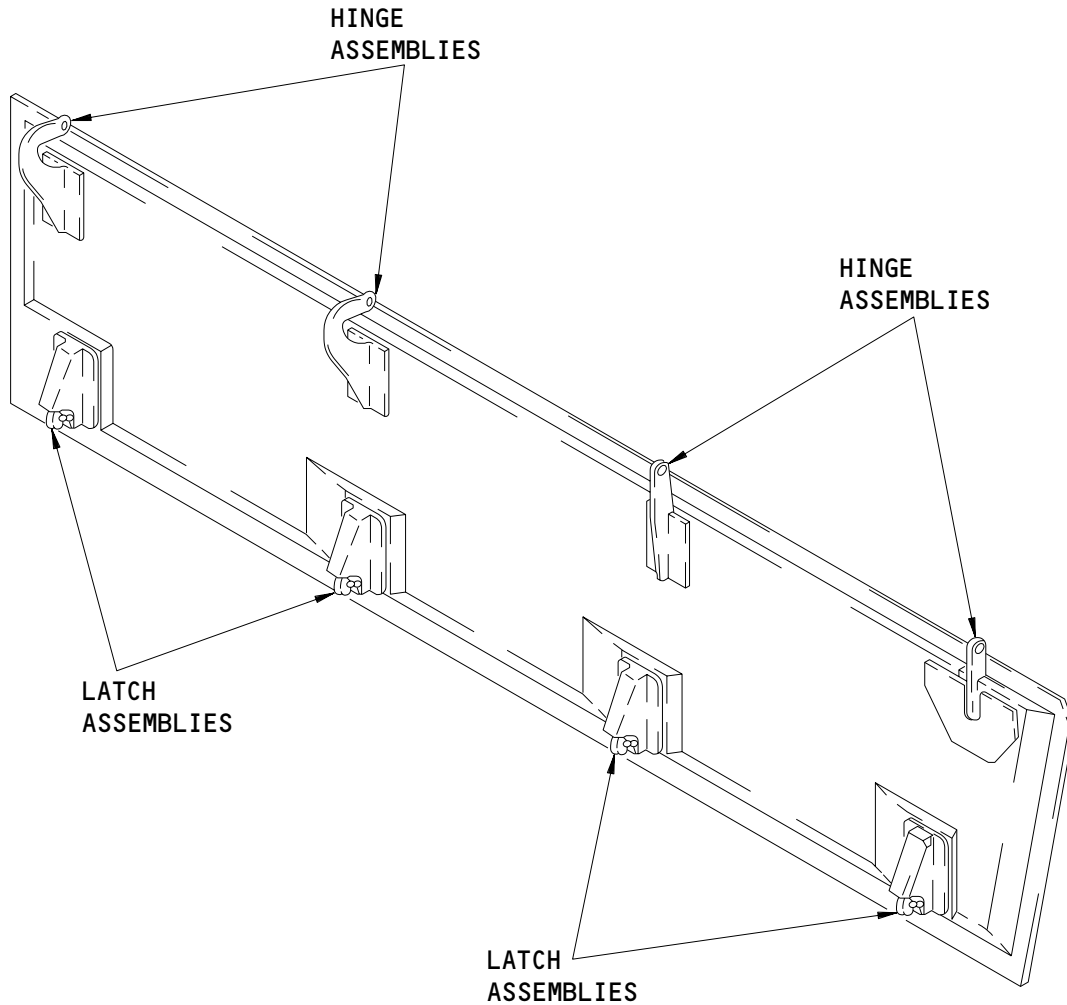
54-53-03

DESCRIPTION & OPERATION

01

Page 1

Mar 01/04



Aft Fairing Strut Access Door Assembly
Figure 1

54-53-03

DESCRIPTION & OPERATION

01

Page 2

Mar 01/04



CLEANING

1. General

- A. This section has the necessary data to clean the aft fairing assembly.
- B. Refer to the Standard Overhaul Practices Manual (SOPM) for the SOPM chapters identified in this procedure.

2. Fairing Cleaning

A. References

- (1) SOPM 20-30-03, General Cleaning Procedures

B. Procedure

CAUTION: DO NOT USE CHLORONATED CLEANING AGENTS SUCH AS METHYLENE CHLORIDE, TRICHLOROETHYLENE, TRICHLOROETHANE TO REMOVE GREASE FROM GRAPHITE/ARIAMID EPOXY STRUCTURES. CHLORONATED CLEANING AGENTS WILL CAUSE DAMAGE TO GRAPHITE/ARIAMID EPOXY STRUCTURES.

1,1,1 - TRICHLOROETHANE IS ONE OF THE SOLVENTS ALLOWED FOR CLEANING COMPOSITE STRUCTURES. DO NOT PUT THE PARTS INTO THE SOLVENT OR LET THE SOLVENT STAY ON THE PARTS BECAUSE DAMAGE WILL RESULT.

- (1) Use standard industry practices (SOPM 20-30-03) to clean the parts.

54-53-03

CLEANING
Page 401
Mar 01/04

CHECK1. General

- A. This section has the necessary data to do a check of the aft fairing access door assembly.
- B. Refer to the Standard Overhaul Practices Manual (SOPM) for the SOPM chapters identified in this procedure.
- C. Refer to IPL Fig. 5 for item numbers.

2. Aft Fairing Access Door Assembly Check

A. References

- (1) SOPM 20-20-01, Magnetic Particle Inspection
- (2) SOPM 20-20-02, Penetrant Methods of Inspection
- (3) 767 NDT Part 1 51-05-01, Tap Test Inspection of Honeycomb Sandwich Structure
- (4) 767 NDT Part 9 51-00-01, Inspection for Ice or Water in Honeycomb Parts

B. Procedure

- (1) Use standard industry procedures to examine all of the parts for cracks or damage.
- (2) Do the magnetic particle check or the penetrant check if cracks or damage are seen or if you think there are cracks or damage.
 - (a) Do a magnetic particle check (SOPM 20-20-01) on these parts:
 - 1) Bolt (55)

54-53-03

CHECK

01

Page 501

Mar 01/04

- (3) Do a check of the honeycomb structure:
- (a) Do a check of the honeycomb and the bonded parts for delamination, internal water, scratches and contour damage.
- 1) If you see delamination or contour damage, do an ultrasonic check or a tap test to find all of the damage.
- NOTE: For the tap test use solid metal disk and refer to the 767 Nondestructive Test Manual, Part 1, 51-05-01.
- 2) Examine areas that you think contain water radiographically or by thermography as shown in the 767 Nondestructive Test Manual, Part 9, 51-00-01.
- (b) Refer to the applicable 767 Structural Repair Manual for the allowable damage and repairs.

54-53-03

CHECK
Page 502
Mar 01/04

REPAIR – GENERAL1. General

- A. Instructions for repair, refinish, and replacement of the specified subassembly parts are included in each REPAIR when applicable:

<u>PART NUMBER</u>	<u>NAME</u>	<u>REPAIR</u>
---	REFINISH OF OTHER PARTS	1-1
313T3350	ROD ASSEMBLY	2-1, 2-2

54-53-03

REPAIR-GENERAL

01

Page 601

Mar 01/04

—	STRAIGHTNESS	∅	DIAMETER
▭	FLATNESS	S ∅	SPHERICAL DIAMETER
⊥	PERPENDICULARITY (OR SQUARENESS)	R	RADIUS
//	PARALLELISM	SR	SPHERICAL RADIUS
○	ROUNDNESS	()	REFERENCE
⊘	CYLINDRICITY	BASIC	A THEORETICALLY EXACT DIMENSION USED
⌒	PROFILE OF A LINE	(BSC)	TO DESCRIBE SIZE, SHAPE OR LOCATION OF
⌒	PROFILE OF A SURFACE	OR	A FEATURE. FROM THIS FEATURE PERMISS-
◎	CONCENTRICITY	DIM	SIBLE VARIATIONS ARE ESTABLISHED BY
≡	SYMMETRY		TOLERANCES ON OTHER DIMENSIONS OR
∠	ANGULARITY		NOTES.
↗	RUNOUT	-A-	DATUM
↗↗	TOTAL RUNOUT	(M)	MAXIMUM MATERIAL CONDITION (MMC)
⊔	COUNTERBORE OR SPOTFACE	(L)	LEAST MATERIAL CONDITION (LMC)
∇	COUNTERSINK	(S)	REGARDLESS OF FEATURE SIZE (RFS)
⊕	THEORETICAL EXACT POSITION OF A FEATURE (TRUE POSITION)	(P)	PROJECTED TOLERANCE ZONE
		FIM	FULL INDICATOR MOVEMENT

EXAMPLES

$\boxed{\text{—}} \boxed{0.002}$	STRAIGHT WITHIN 0.002	$\boxed{\text{◎}} \boxed{\text{∅}} \boxed{0.0005} \boxed{C}$	CONCENTRIC TO DATUM C WITHIN 0.0005 DIAMETER
$\boxed{\text{⊥}} \boxed{0.002} \boxed{B}$	PERPENDICULAR TO DATUM B WITHIN 0.002	$\boxed{\text{≡}} \boxed{0.010} \boxed{A}$	SYMMETRICAL WITH DATUM A WITHIN 0.010
$\boxed{\text{//}} \boxed{0.002} \boxed{A}$	PARALLEL TO DATUM A WITHIN 0.002	$\boxed{\text{∠}} \boxed{0.005} \boxed{A}$	ANGULAR TOLERANCE 0.005 WITH DATUM A
$\boxed{\text{○}} \boxed{0.002}$	ROUND WITHIN 0.002	$\boxed{\text{⊕}} \boxed{\text{∅}} \boxed{0.002} \boxed{(S)} \boxed{B}$	LOCATED AT TRUE POSITION WITHIN 0.002 DIA RELATIVE TO DATUM B, REGARDLESS OF FEATURE SIZE
$\boxed{\text{⊘}} \boxed{0.010}$	CYLINDRICAL SURFACE MUST LIE BETWEEN TWO CONCENTRIC CYLINDERS, ONE OF WHICH HAS A RADIUS 0.010 INCH GREATER THAN THE OTHER	$\boxed{\text{⊥}} \boxed{\text{∅}} \boxed{0.010} \boxed{(M)} \boxed{A}$ $\boxed{0.510} \boxed{(P)}$	AXIS IS TOTALLY WITHIN A CYLINDER OF 0.010 INCH DIAMETER, PERPENDICULAR TO DATUM A, AND EXTENDING 0.510 INCH ABOVE DATUM A, MAXIMUM MATERIAL CONDITION
$\boxed{\text{⌒}} \boxed{0.006} \boxed{A}$	EACH LINE ELEMENT OF THE SURFACE AT ANY CROSS SECTION MUST LIE BETWEEN TWO PROFILE BOUNDARIES 0.006 INCH APART RELATIVE TO DATUM A	$\boxed{2.000}$	THEORETICALLY EXACT DIMENSION IS 2.000
$\boxed{\text{⌒}} \boxed{0.020} \boxed{A}$	SURFACES MUST LIE WITHIN PARALLEL BOUNDARIES 0.020 INCH APART AND EQUALLY DISPOSED ABOUT TRUE PROFILE	OR $\boxed{2.000}$ BSC	

True Position Dimensioning Symbols
Figure 601

54-53-03

REPAIR-GENERAL

01 Page 602

Mar 01/04

REFINISH OF OTHER PARTS - REPAIR 1-11. General

- A. This procedure has the data necessary to refinish the parts which are not given in the Specified repairs.
- B. Refer to the Standard Overhaul Practices Manual (SOPM) for details of the SOPM chapters identified in this procedure.
- C. Refer to the IPL Fig. 1 thru 5 for the item numbers.

2. Refinish of Other Parts

A. General

- (1) Instructions for the repair of the parts listed in Table 601 are for repair of the original finish.

B. Materials

NOTE: Equivalent substitutes may be used.

- (1) Primer, BMS 10-11, Type 1 (SOPM 20-60-02)
- (2) Coating, BMS 10-21, Type 3 (SOPM 20-60-02)

C. References

- (1) SOPM 20-41-01, Decoding Table for Boeing Finish Codes
- (2) SOPM 20-60-02, Finishing Materials

D. Procedure

54-53-03

REPAIR 1-1

01

Page 601

Mar 01/04

IPL FIG & ITEM	MATERIAL	FINISH
Rod (IPL Fig. 5; 70)	2024-T3 AL Alloy	Chemical treat per MIL-C-5541 and apply one layer of BMS 10-11, Type 1 primer (F-18.07)
Hinge (IPL Fig. 1; 75,80,120,125,170) (IPL Fig. 2; 65,70,105,110,160,165,205,210) (IPL Fig. 3; 55,60,95,100,150,155,195,200)	7075-T3 AL Alloy	Chronic acid anodize, apply one layer of BMS 10-11, Type 1 primer (F-18.13)
Door Panel Assy (IPL Fig. 1; 305) (IPL Fig. 2; 300) (IPL Fig. 3,4; 360)	Composite	Apply filler (SRF-14.672) and one layer of BMS 10-21, Type 3 coating (F-14.685) to the exterior surface.
Latch Cover (IPL Fig. 1; 260,285) (IPL Fig. 2; 255,280) (IPL Fig. 3; 250,275) (IPL Fig. 4; 245,270)	2024-T42 AL Alloy	Chronic acid anodize (F-17.04). Apply two layers of BMS 10-11, Type 1 primer (F-20.03).
Clip (IPL Fig. 1; 250,255) (IPL Fig. 2; 245,250) (IPL Fig. 3; 240,245) (IPL Fig. 4; 235,240)	2024-T3511 AL Alloy	Chronic acid anodize (F-17.04). Apply two layers of BMS 10-11, Type 1 primer (F-20.03).
Plate (IPL Fig. 2; 180) (IPL Fig. 3; 165) (IPL Fig. 4; 170)	7075-T6 AL Alloy	Chemical treat per MIL-C-5541 and apply one layer of BMS 10-11, Type 1 primer (F-18.06).

Table 601

54-53-03

REPAIR 1-1

01 Page 602

Mar 01/04

ROD ASSEMBLY – REPAIR 2-1

313T3350-21,-22

1. General

- A. This repair gives the data necessary to repair the rod assembly (IPL Fig. 5; 1A,1B).
- B. Refer to the Standard Overhaul Practices Manual (SOPM) for the standard practices shown in the repair.
- C. Refer to the IPL Fig. 5 for the item numbers.

2. Eyebolt Assembly Replacement

A. Procedure

- (1) Remove the bolt (25), the washers (30,35), the cotter pin (20), the nut (40), and the eyebolt assembly (45) from the rod assembly (1A,1B).
- (2) Apply BMS 10-11, Type 1 primer as shown in Fig. 601.
- (3) Install the new eyebolt assembly (45) in the rod end (60) with the bolt (25), the washers (30,35), and the nut (40).
- (4) Torque the nut (40) to 4-6 pound-inches.
- (5) Adjust the nut (40) as necessary then install a new cotter pin (20).

3. Lock Assembly Replacement

A. Materials

NOTE: Equivalent substitute may be used.

- (1) Sealant, BMS 5-95 (SOPM 20-60-04)
- (2) Primer, BMS 10-11, Type 1 (SOPM 20-60-02)

B. References

- (1) SOPM 20-41-01, Decoding Table for Boeing Finish Codes
- (2) SOPM 20-60-02, Finishing Materials

54-53-03

REPAIR 2-1

01

Page 601

Mar 01/04

(3) SOPM 20-60-04, Miscellaneous Materials

C. Procedure

- (1) Remove the bolts (5) and the collars (10) from the lock assembly (15).
- (2) Remove the lock assembly (15) from the rod (70).
- (3) Apply BMS 10-11, Type 1 primer (F-20.03) to rod (70) as shown in Fig. 601.
- (4) Install the lock assembly (15) in the rod (70) with the bolt (5) and the collar (10).
 - (a) Install the bolts (5) with BMS 5-95 sealant (F-19.27).

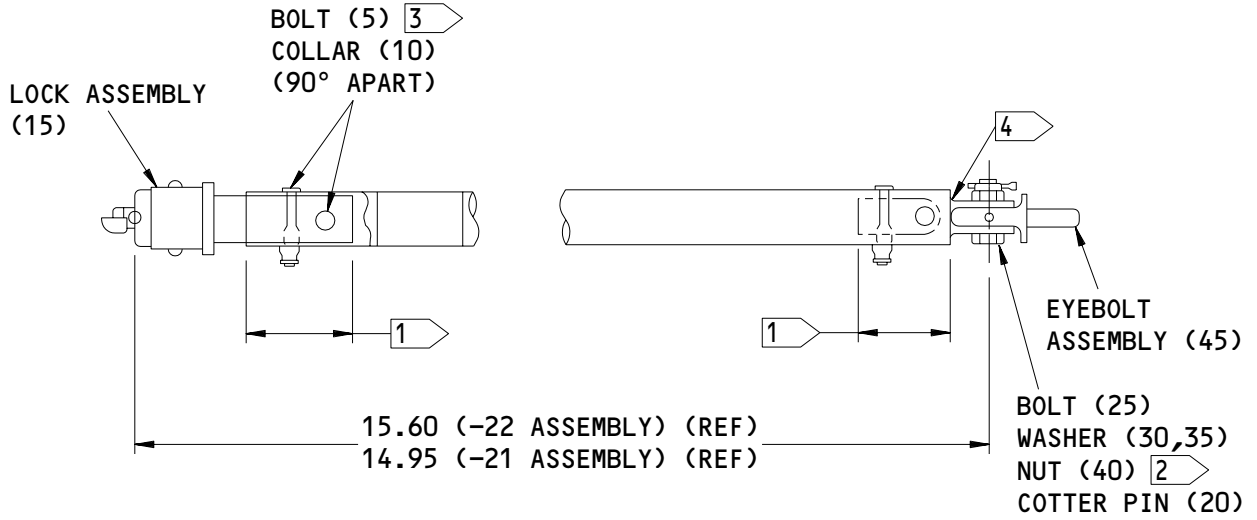
54-53-03

REPAIR 2-1

Page 602

Mar 01/04

01



- 1 APPLY ONE LAYER OF BMS 10-11, TYPE 1 PRIMER TO THIS SURFACE
- 2 TORQUE NUT TO 4-6 POUND-INCHES
- 3 INSTALL BOLT WITH BMS 5-95 SEALANT
- 4 APPLY TWO LAYERS OF BMS 10-11, TYPE 1 PRIMER TO THIS FAY SURFACE

ITEM NUMBERS REFER TO IPL FIG. 5
 ALL DIMENSIONS ARE IN INCHES

313T3350-21,-22
 Hold-Open Rod Assembly Repair
 Figure 601

54-53-03

REPAIR 2-1
 Page 603
 Mar 01/04

01

EYEBOLT ASSEMBLY – REPAIR 2-2

66-23351-8

1. General

- A. This repair gives the data necessary to repair the eyebolt (IPL Fig. 5; 45).
- B. Refer to the Standard Overhaul Practices Manual (SOPM) for the standard practices shown in the repair.
- C. Refer to the IPL Fig. 5 for the item numbers.

2. Bushing Replacement

A. Material

NOTE: Equivalent substitutes may be used.

- (1) Sealant, BMS 5-63 (SOPM 20-60-04)

B. References

- (1) SOPM 20-50-03, Bearing and Bushing Replacement
- (2) SOPM 20-60-04, Miscellaneous Materials

C. Procedure

- (1) Remove the worn bushing (50) from the eyebolt (55) as specified in the SOPM 20-50-03.
- (2) Install the new bushing (50) in the eyebolt (55) with BMS 5-63 sealant as specified in the SOPM 20-50-03.

54-53-03

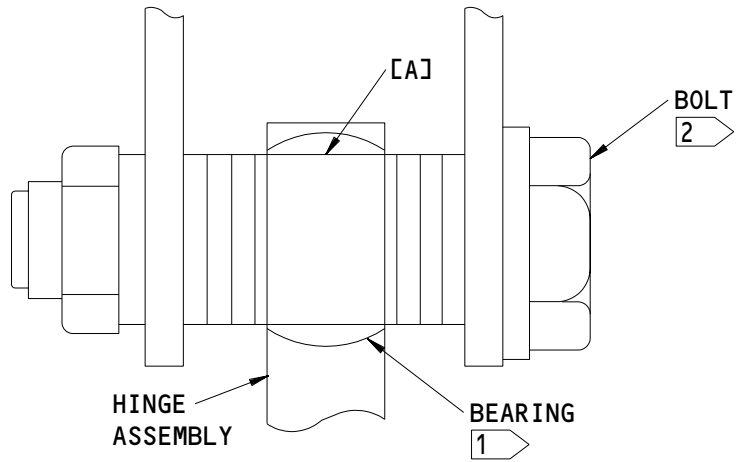
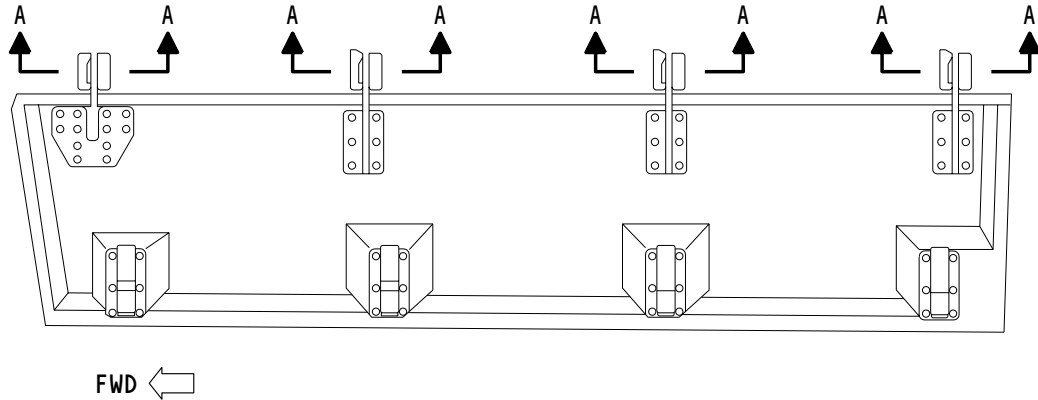
REPAIR 2-2

01

Page 601

Mar 01/04

BOEING
COMPONENT
MAINTENANCE MANUAL
FITS AND CLEARANCES


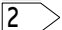


A-A


Fits and Clearances
Figure 801 (Sheet 1)


54-53-03

FITS AND CLEARANCES
01 Page 801
Mar 01/04

REF LETTER	REF IPL	DESIGN DIMENSION*				SERVICE WEAR LIMIT*		
	FIG. NO., MATING ITEM NO.	DIMENSION		ASSEMBLY CLEARANCE		DIMENSION		MAXIMUM CLEARANCE
		MIN	MAX	MIN	MAX	MIN	MAX	
[A]	ID  1 OD  2	0.3120 0.3110	0.3125 0.3120	0.0000	0.0015			

* ALL DIMENSIONS ARE IN INCHES

 BEARING
 (IPL FIG. 1; 70A,115A,165A,205A)
 (IPL FIG. 2; 60A,100A,155A,200A)
 (IPL FIG. 3; 50,95,145,190)
 (IPL FIG. 4; 50,90,145,190)

 INSTALLATION BOLT, BACB30NR5K**

Fits and Clearances
 Figure 801 (Sheet 2)

54-53-03

FITS AND CLEARANCES
 01 Page 802
 Mar 01/04

ILLUSTRATED PARTS LIST

1. This section lists and illustrates replaceable or repairable component parts. The Illustrated Parts Catalog contains a complete explanation of the Boeing part numbering system.

2. Indentures show parts relationships as follows:

Assembly

Detail Parts for Assembly

Subassembly

Attaching Parts for Subassembly

Detail Parts for Subassembly

Detail Installation Parts (Included only if installation parts may be returned to shop as part of assembly)

3. One use code letter (A, B, C, etc.) is assigned in the EFF CODE column for each variation of top assembly. All listed parts are used on all top assemblies except when limitations are shown by use code letter opposite individual part entries.

4. Letter suffixes (alpha-variants) are added to item numbers for optional parts, Service Bulletin modification parts, configuration differences (Except left- and right-hand parts), product improvement parts, and parts added between two sequential item numbers. The alpha-variant is not shown on illustrations when appearance and location of all variants of the part is the same.

5. Service Bulletin modifications are shown by the notations PRE SB XXXX and POST SB XXXX.

A. When a new top assembly part number is assigned by Service Bulletin, the notations appear at the top assembly level only. The configuration differences at detail part level are then shown by use code letter.

B. When the top assembly part number is not changed by the Service Bulletin, the notations appear at the detail part level.

6. Parts Interchangeability

Optional
(OPT)

The parts are optional to and interchangeable with other parts having the same item number.

Supersedes, Superseded By
(SUPSDS, SUPSD BY)

The part supersedes and is not interchangeable with the original part.

Replaces, Replaced By
(REPLS, REPLD BY)

The part replaces and is interchangeable with, or is an alternate to, the original part.

54-53-03

ILLUSTRATED PARTS LIST

01

Page 1001

Mar 01/04

VENDORS

OPTK6 SPS TECHNOLOGIES INC AEROSPACE PRODUCTS DIV
5195 W 4700 SPO BOX 18459
KEARNS, UTAH 84118

00724 E-SYSTEMS INC ECI DIV
1501 NORTH 72ND STREET
ST. PETERSBURG, FLORIDA 33710
FORMERLY ELECTRONIC COMMUNICATION INC DIV NCR
FORMERLY AIR ASSOCIATES DIV ELECT COMM IN TETERBORO, N.J.

00779 TYCO ELECTRONICS CORP
2800 FULLING MILL ROAD PO BOX 3608
MIDDLETOWN, PENNSYLVANIA 17057
FORMERLY AMP INC; FORMERLY V04618

06710 LAMSON AND SESSIONS CO THE VALLEY-TODECO
12975 BRADLEY AVENUE
SYLMAR, CALIFORNIA 91342-3830
FORMERLY VALLEY BOLT CORP VB0097 IN NORTH HOLLYWOOD, CA

06725 AIR INDUSTRIES CORPORATION
12570 KNOTT STREET
GARDEN GROVE, CALIFORNIA 92641-3932
FORMERLY AIR INDUSTRIES OF CALIF IN GARDENA, CALIF.

06950 SCREWCORP VSI AEROSPACE PRODUCTS DIV FAIRCHILD IND DIV
13001 EAST TEMPLE AVENUE PO BOX 730
CITY OF INDUSTRY, CALIFORNIA 91746-1417
FORMERLY VB0096 AND VSI CORP SCREWCORP DIV
FORMERLY IN CULVER CITY, CALIFORNIA

08524 DEUTSCH FASTENER CORP SEE CODE V97928

08844 NORCO, INCORPORATED
139 ETHAN ALLEN HIGHWAY
RIDGEFIELD, CONNECTICUT 06877

11328 AEROQUIP SEE EATON AEROQUIP V00624

54-53-03

ILLUSTRATED PARTS LIST
01 Page 1002
Mar 01/04

 **BOEING**
COMPONENT
MAINTENANCE MANUALVENDORS

15653 FAIRCHILD FASTENERS KAYNAR PRODUCTS DIV
800 S STATE COLLEGE BLVD
FULLERTON, CALIFORNIA 92831-3001
FORMERLY VK6405 MICRODOT AEROSP LTD; FORMERLY KAYNAR TECH
KAYNAR DIV

17446 HUCK INTL INC AEROSPACE FASTENER DIV
900 WATSON CENTER ROAD
CARSON, CALIFORNIA 90745-4201
FORMERLY V32134 REXNORD INC; FORMERLY V97928 HUCK INTL

22277 BELL-MEMPHIS INC
1650 CHANNEL AVENUE PO BOX 13187
MEMPHIS, TENNESSEE 38113-1524
FORMERLY BELL, R.E. MFG CO V11097

26590 HOOD INDUSTRIES
4615 SHEPARD STREET
BAKERSFIELD, CALIFORNIA 93309
FORMERLY IN PARAMOUNT, CALIFORNIA

5M902 FAIRCHILD IND INC FAIRCHILD AEROSPACE FASTENER DIV
3016 W LOMITA BLVD
TORRANCE, CALIFORNIA 90505-5103
FMLY IN REDONDO BEACH, CALIF

56878 SPS TECHNOLOGIES INC AEROSPACE AND INDUSTRIAL PRODUCTS DIV
301 HIGHLAND AVE
JENKINTOWN, PENNSYLVANIA 19046
FORMERLY STANDARD PRESSED STEEL

57606 REXNORD CORP PSI BEARINGS DIV
2175 UNION PL
SIMI VALLEY, CALIFORNIA 93065-1661
FORMERLY PSI BEARINGS

60516 WEST COAST AEROSPACE INC
812 MIRAFLORES STREET
SAN PEDRO, CALIFORNIA 90731-1439

62554 SIMMONDS MECAERO FASTENERS INC
1734 SEQUOIA AVENUE
ORANGE, CALIFORNIA 92668

54-53-03ILLUSTRATED PARTS LIST
01 Page 1003
Mar 01/04

VENDORS

65196 CABLEWARE TECHNOLOGY INC
900 INDUSTRIAL BLVD. PO BOX 7515
NAPLES, FLORIDA 33941

73197 HI-SHEAR TECHNOLOGY CORP
2600 SKYPARK DRIVE
TORRANCE, CALIFORNIA 90509

78189 ILLINOIS TOOL WORKS INC SHAKEPROOF DIVN
ST CHARLES ROAD
ELGIN, ILLINOIS 60120
FORMERLY SHAKEPROOF DIVN OF ILLINOIS TOOL WORKS B0025
FORMERLY SHAKEPROOF LOCK WASHER CO V77900

80523 BABCOCK ACCO INC ACCO CONTROLS GROUP SUB OF BABCOCK INTL
1014 ERIE STREET PO BOX 608
ADRIAN, MICHIGAN 49221-0608
FORMERLY CABLE CONTROLS DIV OF AMERICAN CHAIN AND CABLE
FORMERLY ACCO IND INC CABLE CONTROLS DIV

80539 SPS TECHNOLOGIES INC AEROSPACE PRODUCTS DIV
2701 SOUTH HARBOR BOULEVARD PO BOX 1259
SANTA ANA, CALIFORNIA 92702-1259
FORMERLY NUTT-SHEL DIV OF SPC WESTERN CO V80539
AND STANDARD PRESSED STEEL WESTERN DIV V17279

83014 HARTWELL CORPORATION
900 SOUTH RICHFIELD ROAD
PLACENTIA, CALIFORNIA 92670-6732
FORMERLY V0532B IN LOS ANGELES, CALIFORNIA

84256 AVIBANK MANUFACTURING COMPANY
210 SOUTH VICTORY BLVD PO BOX 391
BURBANK, CALIFORNIA 91503
FORMERLY AVDEL INC AND ROWE SALES CO VB0001
FORMERLY PRICE, D.W. CORP LOS ANGELES, CALIFORNIA V97978

92215 FAIRCHILD IND INC FAIRCHILD AEROSPACE FASTENER DIV
3010 W LOMITA BLVD
TORRANCE, CALIFORNIA 90505-5102
FORMERLY VOI-SHAN IN CULVER CITY, CALIF

54-53-03

ILLUSTRATED PARTS LIST
01 Page 1004
Mar 01/04



VENDORS

- 97928 SEE V17446 HUCK INTL
 HUCK INTL SEE V17446 HUCK INTL
 SEE V17446 HUCK INTL
- 99862 CARR LANE MANUFACTURING COMPANY
 4200 CARR LANE CT
 ST. LOUIS, MISSOURI 63119-2129

54-53-03

ILLUSTRATED PARTS LIST

01 Page 1005

Mar 01/04

PART NUMBER	AIRLINE PART NO.	FIG.	ITEM	TTL REQ
AN960C416L		5	30	2
BACB28Y4F018		5	50	1
BACB30FN8A20		1	40	1
		1	135	1
		2	30	1
		2	125	1
		3	20	1
		3	115	1
		4	20	1
		4	115	1
BACB30MY5K12		5	5	4
		5	25A	1
BACB30MY6K3		3	223	4
		4	217	4
BACB30NW6K12		3	345	2
		4	340	2
BACB30NX6K3		3	305	1
		4	300	1
BACB30NY8K14		1	175	12
		2	170	12
		3	155	12
		4	160	12
BACB30NY8K17		1	45	5
		1	140	5
		2	35	5
		2	85	6
		2	130	5
		3	25	5
		3	120	5
		4	25	5
		4	75	6
		4	120	5
BACB30NY8K19		1	95	6
		3	75	6
BACB30NY8K4		1	225	8
		2	220	8
		3	215	8
		4	210	8

54-53-03

 ILLUSTRATED PARTS LIST
 01 Page 1006
 Mar 01/04


BOEING
 COMPONENT
 MAINTENANCE MANUAL

PART NUMBER	AIRLINE PART NO.	FIG.	ITEM	TTL REQ	
BACB30NY8K5		1	230	4	
		1	235	12	
		2	225	4	
		2	230	12	
		3	220	4	
		3	225	12	
		4	215	4	
		4	220	12	
	BACB30NY8K5		1	235A	12
	BACB30NY8K7		2	230A	12
		3	225A	12	
		4	220A	12	
BACC30AB8S		1	240	8	
		2	235	8	
		3	230	8	
		4	225	8	
		5	10	4	
BACC30M5		3	233	4	
BACC30M6		3	310	1	
		3	350	2	
		4	227	4	
		4	305	1	
		4	345	2	
BACC30M8		1	65	5	
		1	110	6	
		1	160	5	
		1	180	12	
		1	245	16	
		2	55	5	
		2	95	6	
		2	150	5	
		2	175	12	
		2	240	16	
		3	45	5	
		3	90	6	
		3	140	5	
		3	160	12	
		3	235	16	
		4	40	5	
		4	80	6	
		4	135	5	
	4	165	12		
	4	230	16		

54-53-03

ILLUSTRATED PARTS LIST

01

Page 1007

Mar 01/04

PART NUMBER	AIRLINE PART NO.	FIG.	ITEM	TTL REQ
BACF22U2		3	330	1
		4	325	1
BACF3H08RP056HN		1	290	4
		2	285	4
		3	280	4
		4	275	4
BACF3H14XM050BN		1	100	2
		3	80	2
BACN10JD4ASU		5	40	1
		3	40	1
BACN10YR4CD		3	135	1
		4	35	1
		4	130	1
		3	211	1
BACN10YR4CM		4	206	1
		1	265	20
BACR15BB5AD		2	260	20
		3	255	20
		4	250	20
		1	190	2
BACS40R007C020F		2	185	2
		3	175	2
		4	175	2
		1	190A	2
BACS40R007D020F		3	170	2
		1	300	8
BACS40R009W054		2	295	8
		3	290	8
		4	285	8
		1	220	2
BACS40R012C021F		2	215	2
		3	210	2
		4	205	2

54-53-03

 ILLUSTRATED PARTS LIST
 01 Page 1008
 Mar 01/04


BOEING
 COMPONENT
 MAINTENANCE MANUAL

PART NUMBER	AIRLINE PART NO.	FIG.	ITEM	TTL REQ
BACS40R012C023F		1	220A	2
		3	205	2
BACS40R031C050F		1	55	1
		1	105	1
		1	150	1
		2	45	1
		2	90	1
		2	140	1
		3	35	1
		3	85	1
		3	130	1
		4	45	1
		4	85	1
		4	140	1
BACT14B2		3	320	1
		4	315	1
BACW10BN4SP		1	50	2
		1	145	2
		2	40	2
		2	135	2
BACW10BP5DP		3	212	1
BACW10BP5DP		4	207	1
BA3-2		3	320	1
		4	315	1
BM2487-2		3	320	1
		4	315	1
B30MY5K12		5	5	4
		5	25A	1
B30MY6K3		3	223	4
		4	217	4
B30NW6K12		3	345	2
		4	340	2
CL4F		3	330	1
		4	325	1
HI2487-2		3	320	1
		4	315	1
HL10VAZ5-12		5	5	4
		5	25A	1

54-53-03

ILLUSTRATED PARTS LIST

01

Page 1009

Mar 01/04

PART NUMBER	AIRLINE PART NO.	FIG.	ITEM	TTL REQ
HL10VAZ6-3		3	223	4
		4	217	4
HL1012AZ6-3		3	305	1
		4	300	1
HL11VAZ6-12		3	345	2
		4	340	2
HL12VAZ6-3		3	305	1
		4	300	1
HL13VAZ8-14		1	175	12
		2	170	12
		3	155	12
		4	160	12
HL13VAZ8-17		1	45	5
		1	140	5
		2	35	5
		2	85	6
		2	130	5
		3	25	5
		3	120	5
		4	25	5
		4	75	6
		4	120	5
HL13VAZ8-19		1	95	6
		3	75	6
HL13VAZ8-4		1	225	8
		2	220	8
		3	215	8
		4	210	8
HL13VAZ8-5		1	230	4
		1	235	12
		2	225	4
		2	230	12
		3	220	4
		3	225	12
		4	215	4
		4	220	12

54-53-03

 ILLUSTRATED PARTS LIST
 01 Page 1010
 Mar 01/04


BOEING
 COMPONENT
 MAINTENANCE MANUAL

PART NUMBER	AIRLINE PART NO.	FIG.	ITEM	TTL REQ
HL13VAZ8-7		1	235A	12
		2	230A	12
		3	225A	12
		4	220A	12
		4	220A	12
HL13V14		1	175	12
		2	170	12
		3	155	12
		4	160	12
		4	160	12
HL13V17		1	45	5
		1	140	5
		2	35	5
		2	85	6
		2	130	5
		3	25	5
		3	120	5
		4	25	5
		4	75	6
		4	120	5
		4	120	5
HL13V19		1	95	6
		3	75	6
		3	75	6
HL13V4		1	225	8
		2	220	8
		3	215	8
		4	210	8
		4	210	8
HL13V5		1	230	4
		1	235	12
		2	225	4
HL13V5		2	230	12
		3	220	4
		3	225	12
		4	215	4
		4	220	12
		4	215	4
		4	220	12

54-53-03

ILLUSTRATED PARTS LIST

01

Page 1011

Mar 01/04

PART NUMBER	AIRLINE PART NO.	FIG.	ITEM	TTL REQ
HL13V7		1	235A	12
		2	230A	12
		3	225A	12
		4	220A	12
HL41PY8-20		1	40	1
		1	135	1
		2	30	1
		2	125	1
		3	20	1
		3	115	1
		4	20	1
HL441N8-20		4	115	1
		1	40	1
		1	135	1
		2	30	1
		2	125	1
		3	20	1
		3	115	1
HL441UC8-20		4	20	1
		4	115	1
		1	40	1
		1	135	1
		2	30	1
		2	125	1
		3	20	1
HL70-5 HL79-6		3	115	1
		4	20	1
		4	115	1
		5	10	4
		3	233	4
		3	310	1
		3	350	2
		4	227	4
		4	305	1
		4	345	2

54-53-03

 ILLUSTRATED PARTS LIST
 01 Page 1012
 Mar 01/04


BOEING
 COMPONENT
 MAINTENANCE MANUAL

PART NUMBER	AIRLINE PART NO.	FIG.	ITEM	TTL REQ	
HL79-8		1	65	5	
		1	110	6	
		1	160	5	
		1	180	12	
		1	245	16	
		2	55	5	
		2	95	6	
		2	150	5	
		2	175	12	
		2	240	16	
		3	45	5	
		3	90	6	
		3	140	5	
		3	160	12	
		3	235	16	
		4	40	5	
		4	80	6	
		4	135	5	
		4	165	12	
		4	230	16	
	HL97DU8		1	240	8
			2	235	8
			3	230	8
			4	225	8
HT200-2		3	320	1	
H52732-4CD		4	315	1	
		3	40	1	
H52732-4CM		3	135	1	
		4	35	1	
		4	130	1	
		3	211	1	
IL278-2		4	206	1	
		5	15	1	
L801-8K14		1	175	12	
		2	170	12	
		3	155	12	
		4	160	12	

54-53-03

ILLUSTRATED PARTS LIST

01

Page 1013

Mar 01/04

PART NUMBER	AIRLINE PART NO.	FIG.	ITEM	TTL REQ
L801-8K17		1	45	5
		1	140	5
		2	35	5
		2	85	6
		2	130	5
		3	25	5
		3	120	5
		4	25	5
		4	75	6
		4	120	5
L801-8K19		1	95	6
		3	75	6
L801-8K4		1	225	8
		2	220	8
		3	215	8
		4	210	8
L801-8K5		1	230	4
		1	235	12
L801-8K5		2	225	4
		2	230	12
		3	220	4
		3	225	12
		4	215	4
		4	220	12
L801-8K7		1	235A	12
		2	230A	12
		3	225A	12
		4	220A	12
L802-6K3		3	305	1
		4	300	1
L803-6K12		3	345	2
		4	340	2
L839-8A20		1	40	1
		1	135	1
		2	30	1
		2	125	1
		3	20	1
		3	115	1
		4	20	1
		4	115	1

54-53-03

 ILLUSTRATED PARTS LIST
 01 Page 1014
 Mar 01/04


BOEING
 COMPONENT
 MAINTENANCE MANUAL

PART NUMBER	AIRLINE PART NO.	FIG.	ITEM	TTL REQ
MS21042L4		1	60	1
		1	155	1
		2	50	1
		2	145	1
MS24665-153 NAS1149E0463P		5	20	1
		3	30	2
		3	125	2
		4	30	2
NAS6704D7 PLH54CD		4	125	2
		5	25	1
		3	40	1
		3	135	1
PLH54CM		4	35	1
		4	130	1
		3	211	1
		4	206	1
P20650		1	70A	1
		1	115A	1
		1	165A	1
		1	205A	1
		2	60A	1
		2	100A	1
		2	155A	1
		2	200A	1
P20650		3	50	1
		3	95	1
		3	145	1
		3	190	1
		4	50	1
		4	90	1
		4	145	1
		4	190	1

54-53-03

ILLUSTRATED PARTS LIST

01

Page 1015

Mar 01/04

PART NUMBER	AIRLINE PART NO.	FIG.	ITEM	TTL REQ
RA2487-2		3	320	1
		4	315	1
S302T001-206		1	70A	1
		1	115A	1
		1	165A	1
		1	205A	1
		2	60A	1
		2	100A	1
		2	155A	1
		2	200A	1
		3	50	1
		3	95	1
		3	145	1
		3	190	1
		4	50	1
		4	90	1
		4	145	1
S313T501-1		4	190	1
		1	295	4
		2	290	4
		3	285	4
		3	288	4
		4	280	4
		4	283	4
S313T501-2		1	295A	4
		2	290A	4
		3	285A	4
		3	288A	4
		4	280A	4
VTB04450		4	284	4
		1	70A	1
		1	115A	1
		1	165A	1
		1	205A	1
		2	60A	1
		2	100A	1
		2	155A	1

54-53-03

 ILLUSTRATED PARTS LIST
 01 Page 1016
 Mar 01/04


BOEING
 COMPONENT
 MAINTENANCE MANUAL

PART NUMBER	AIRLINE PART NO.	FIG.	ITEM	TTL REQ	
VTB04450		2	200A	1	
		3	50	1	
		3	95	1	
		3	145	1	
		3	190	1	
		4	50	1	
		4	90	1	
		4	145	1	
		4	190	1	
	21471		3	335	1
			4	330	1
	313T3335-1		1	185	1
			2	180	1
		3	165	1	
		4	170	1	
313T3349-23		3	325	1	
		4	320	1	
313T3349-4		3	340	1	
		4	335	1	
313T3349-6		3	325A	1	
		4	320A	1	
313T3350-17		5	70	1	
313T3350-18		5	75	1	
313T3350-21		3	214	1	
		5	1A	RF	
313T3350-22		4	209	1	
		5	1B	RF	
313T3350-6		5	65	1	
313T3351-5		4	350	1	
313T3351-6		4	355	1	
313T3351-7		3	355	1	
313T5330-5		1	130	1	
		3	110	1	
		1	170	1	
313T5330-6		3	150	1	
		1	85	1	
313T5331-5		3	65	1	
		1	90	1	
313T5331-6		1	90	1	
		3	70	1	

54-53-03

ILLUSTRATED PARTS LIST

01

Page 1017

Mar 01/04

PART NUMBER	AIRLINE PART NO.	FIG.	ITEM	TTL REQ
313T5331-7		1	120	1
		3	100	1
313T5331-8		1	125	1
		3	105	1
313T5332-1		2	115	1
		4	105	1
313T5332-2		2	120	1
		4	110	1
313T5332-3		2	160	1
		4	150	1
313T5332-4		2	165	1
		4	155	1
313T5333-1		2	75	1
		4	65	1
313T5333-2		2	80	1
		4	70	1
313T5333-3		2	105	1
		4	95	1
313T5333-4		2	110	1
		4	100	1
313T5334-1		2	20	1
		4	10	1
313T5334-2		2	25	1
		4	15	1
313T5334-3		2	65	1
		4	55	1
313T5334-4		2	70	1
		4	60	1
313T5335-1		1	30	1
		3	10	1
313T5335-2		1	35	1
		3	15	1
313T5335-3		1	75	1
		3	55	1
313T5335-4		1	80	1
		3	60	1
313T5336-1		2	190	1
		4	180	1
313T5336-2		2	195	1
		4	185	1
313T5336-3		2	205	1
		4	195	1

54-53-03

 ILLUSTRATED PARTS LIST
 01 Page 1018
 Mar 01/04


BOEING
 COMPONENT
 MAINTENANCE MANUAL

PART NUMBER	AIRLINE PART NO.	FIG.	ITEM	TTL REQ
313T5336-4		2	210	1
		4	200	1
313T5337-2		1	200	1
		3	185	1
313T5337-4		1	215	1
		3	200	1
313T5337-5		1	195	1
		3	180	1
313T5337-6		1	210	1
313T5337-6		3	195	1
313T5340-10		1	255	1
		2	250	1
		3	240	1
		4	240	1
313T5340-15		1	1A	RF
		3	1A	RF
313T5340-16		1	5A	RF
		3	5	RF
313T5340-17		1	10A	RF
		4	1A	RF
313T5340-18		1	15A	RF
		4	5	RF
313T5340-23		1	1B	RF
		3	1B	RF
313T5340-24		1	5B	RF
		3	5A	RF
313T5340-25		1	10B	RF
		4	1B	RF
313T5340-26		1	15B	RF
		4	5A	RF
313T5340-31		3	286	1
313T5340-33		3	287	1
313T5340-34		3	287A	1
313T5340-35		4	281	1
313T5340-36		4	281A	1
313T5340-37		4	282	1
313T5340-38		4	282A	1
313T5340-5		1	1	RF
313T5340-5009		1	20	1
313T5340-5010		1	25	1
313T5340-5011		2	10	1

54-53-03

ILLUSTRATED PARTS LIST

01

Page 1019

Mar 01/04

PART NUMBER	AIRLINE PART NO.	FIG.	ITEM	TTL REQ
313T5340-5012		2	15	1
313T5340-5013		1	20A	1
313T5340-5014		1	25A	1
313T5340-5015		2	10A	1
313T5340-5016		2	15A	1
313T5340-6		1	5	RF
313T5340-7		1	10	RF
		2	1	RF
313T5340-8		1	15	RF
		2	5	RF
313T5340-9		1	250	1
		2	245	1
313T5340-9		3	245	1
		4	235	1
313T5341-33		1	305A	1
		3	360	1
313T5341-34		1	310A	1
		3	365	1
313T5341-35		2	300A	1
		4	360	1
313T5341-36		2	305A	1
		4	365	1
313T5341-5		1	305	1
313T5341-6		1	310	1
313T5341-7		2	300	1
313T5341-8		2	305	1
313T5342-1		1	260	2
		2	255	2
		3	250	2
		4	245	2
313T5342-3		1	275	2
		2	270	2
		3	265	2
		4	260	2
313T5342-4		1	280	2
		2	275	2
		3	270	2
		4	265	2

54-53-03

 ILLUSTRATED PARTS LIST
 01 Page 1020
 Mar 01/04


BOEING
 COMPONENT
 MAINTENANCE MANUAL

PART NUMBER	AIRLINE PART NO.	FIG.	ITEM	TTL REQ
313T5342-5		1	270	2
		2	265	2
		3	260	2
		4	255	2
313T5342-7		1	285	2
		2	280	2
		3	275	2
		4	270	2
313T5349-7		3	237	1
		4	233	1
315T5349-7		3	330	1
325167		4	325	1
3502-18-04-4102		3	213	1
		4	208	1
3539-14-02-4102		5	35	2
63-2892-2		5	60	1
66-23351-7		5	55	1
66-23351-8		5	45	1
66-8350		3	315	1
66-8350		4	310	1
66014-5		5	10	4
66014-6		3	233	4
		3	310	1
		3	350	2
		4	227	4
		4	305	1
		4	345	2
		1	65	5
		1	110	6
		1	160	5
		1	180	12
		1	245	16
		2	55	5
		2	95	6
		2	150	5
		2	175	12
		2	240	16
66014-8		3	45	5
		3	90	6
		3	140	5
		3	160	12
		3	235	16
		4	40	5
		4	80	6
		4	135	5
		4	165	12
		4	230	16

54-53-03

ILLUSTRATED PARTS LIST

01

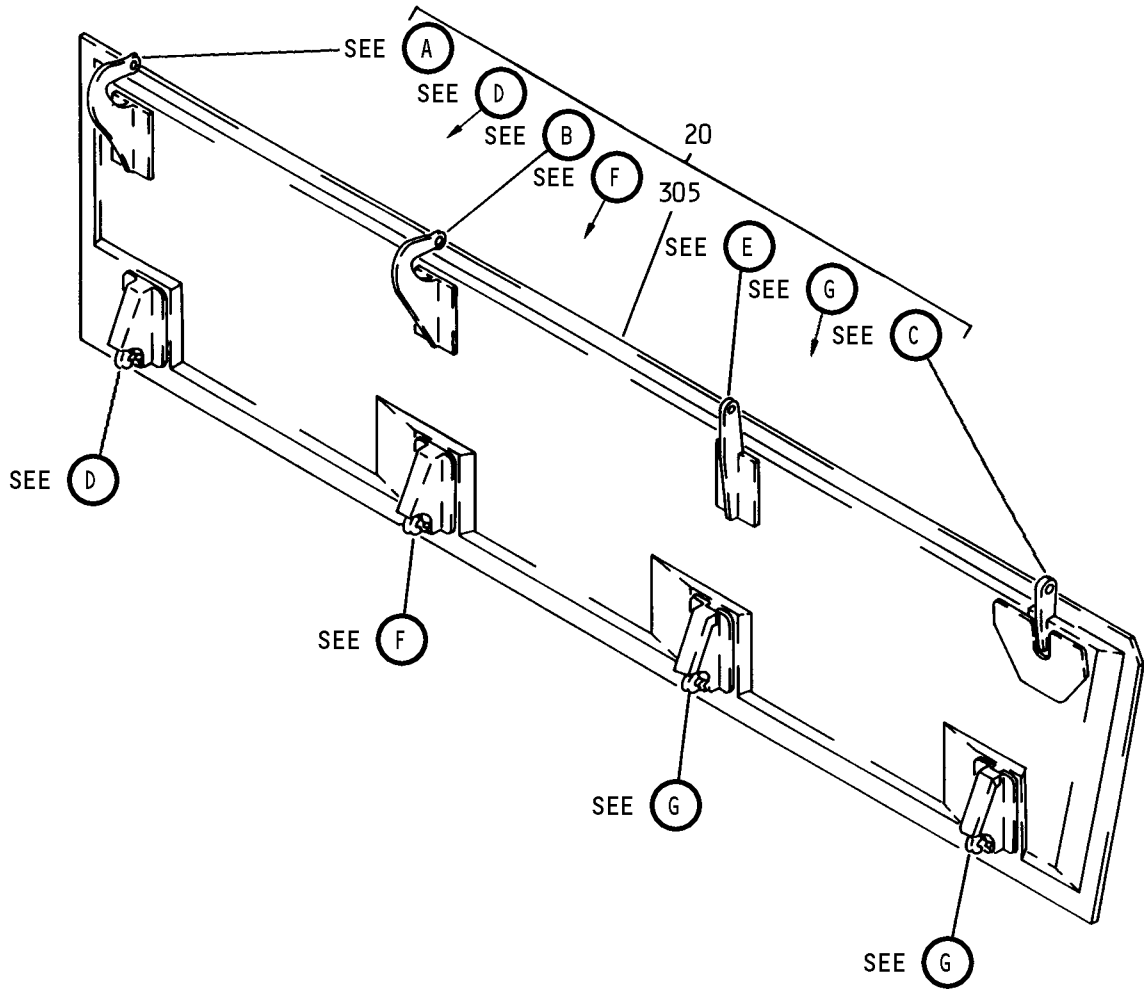
Page 1021

Mar 01/04

PART NUMBER	AIRLINE PART NO.	FIG.	ITEM	TTL REQ		
67068-8A20		1	40	1		
		1	135	1		
		2	30	1		
		2	125	1		
		3	20	1		
		3	115	1		
		4	20	1		
		4	115	1		
		8-04056-2		3	320	1
				4	315	1
8-04056-2 9781		1	295	4		
		2	290	4		
		3	285	4		
		3	288	4		
		4	280	4		
		4	283	4		
		9781-2		1	295A	4
				2	290A	4
3	285A			4		
3	288A			4		
4	280A			4		
4	284			4		

54-53-03

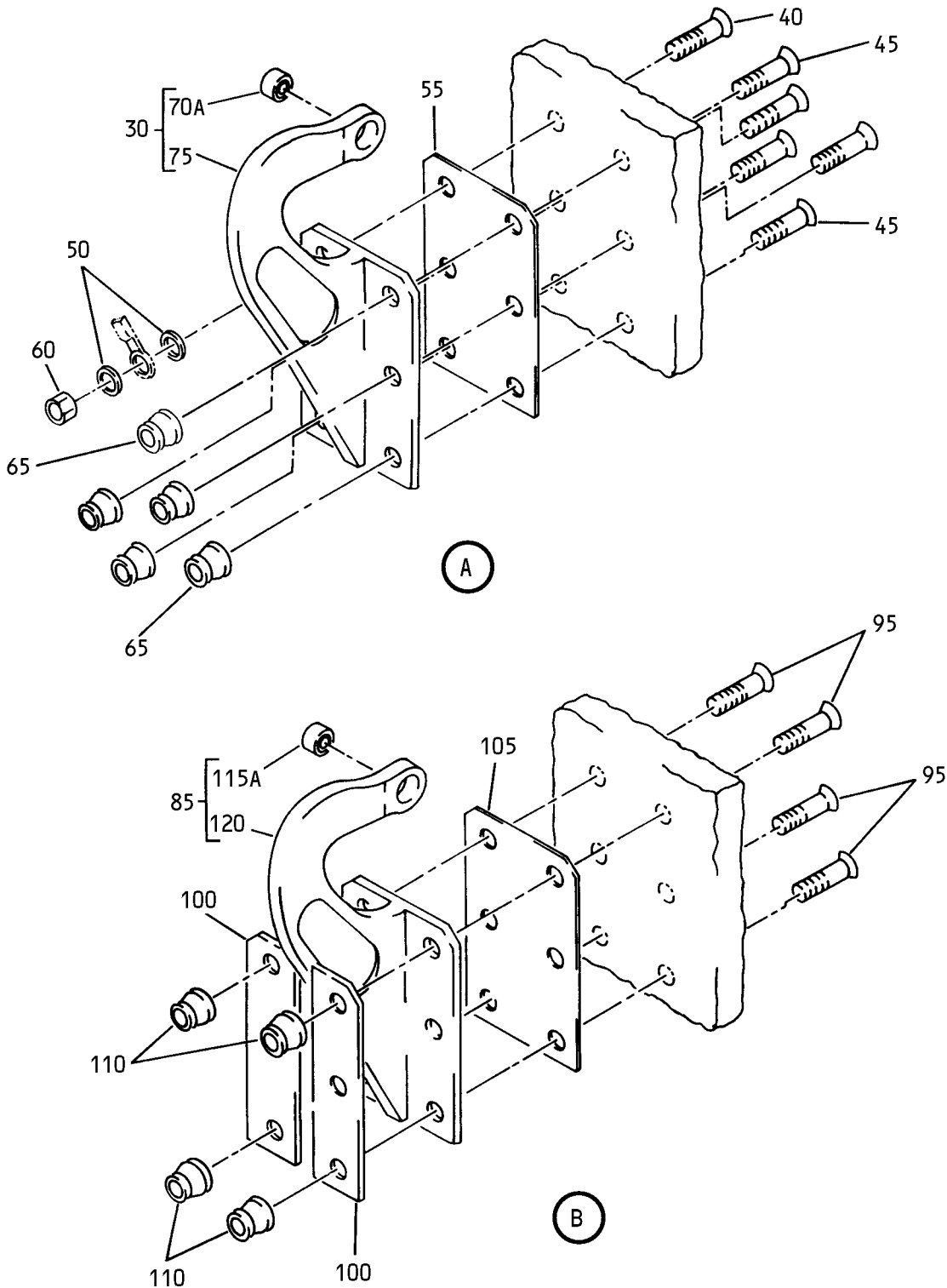
 ILLUSTRATED PARTS LIST
 01 Page 1022
 Mar 01/04



Aft Fairing Strut Access Door Assembly
Figure 1 (Sheet 1)

54-53-03

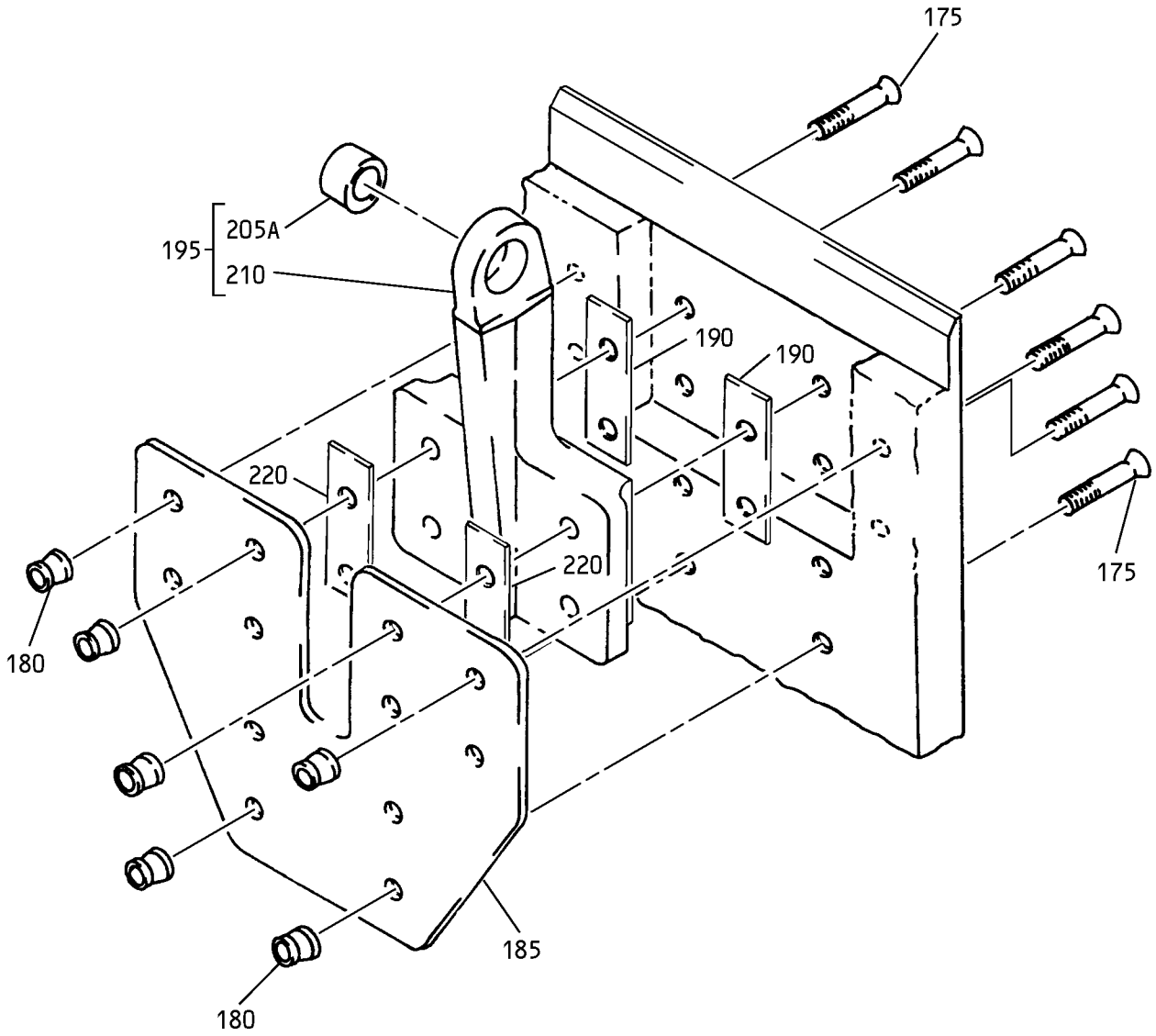
ILLUSTRATED PARTS LIST
01 Page 1023
Mar 01/04



Aft Fairing Strut Access Door Assembly
 Figure 1 (Sheet 2)

54-53-03

ILLUSTRATED PARTS LIST
 01 Page 1024
 Mar 01/04

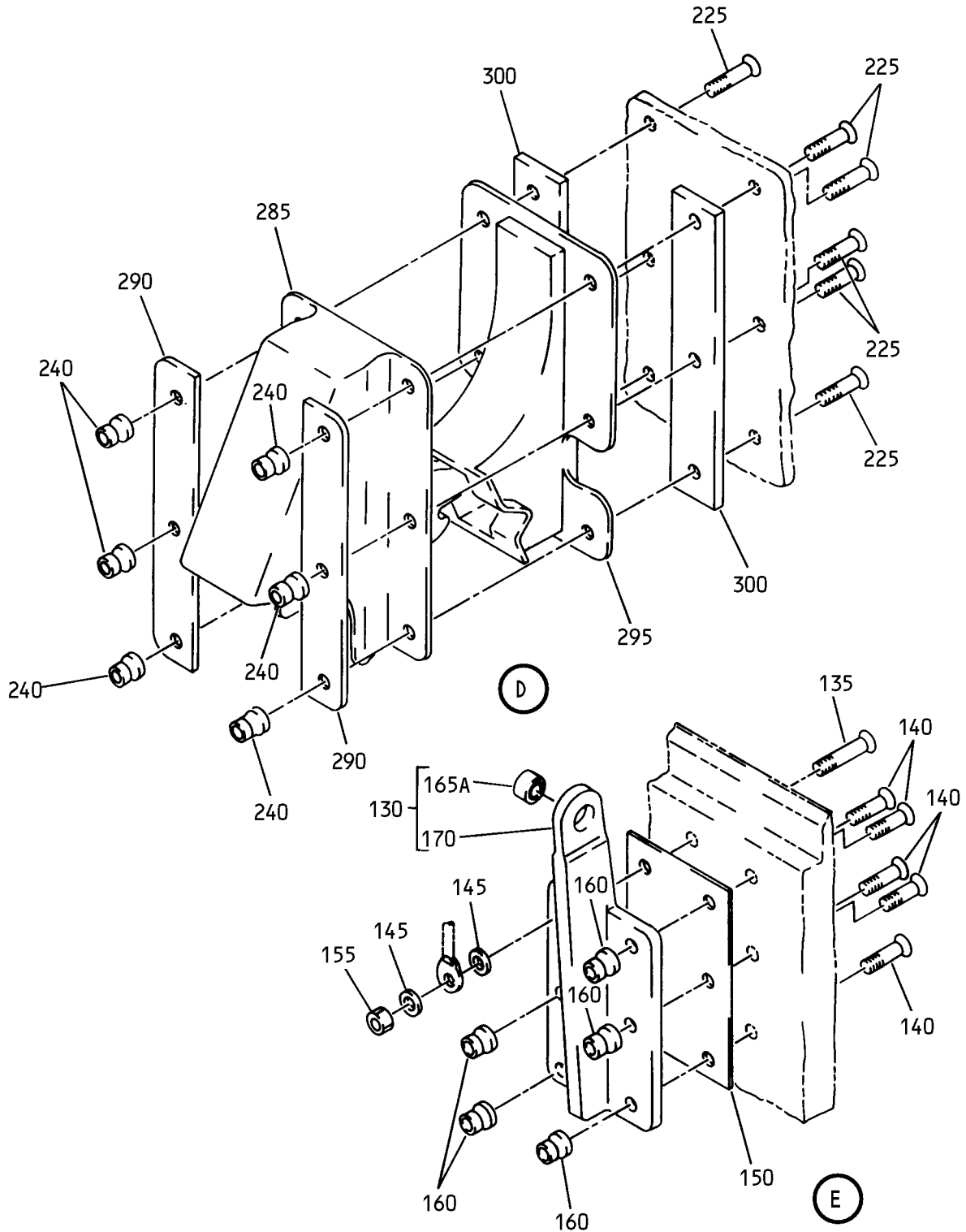


(C)

Aft Fairing Strut Access Door Assembly
Figure 1 (Sheet 3)

54-53-03

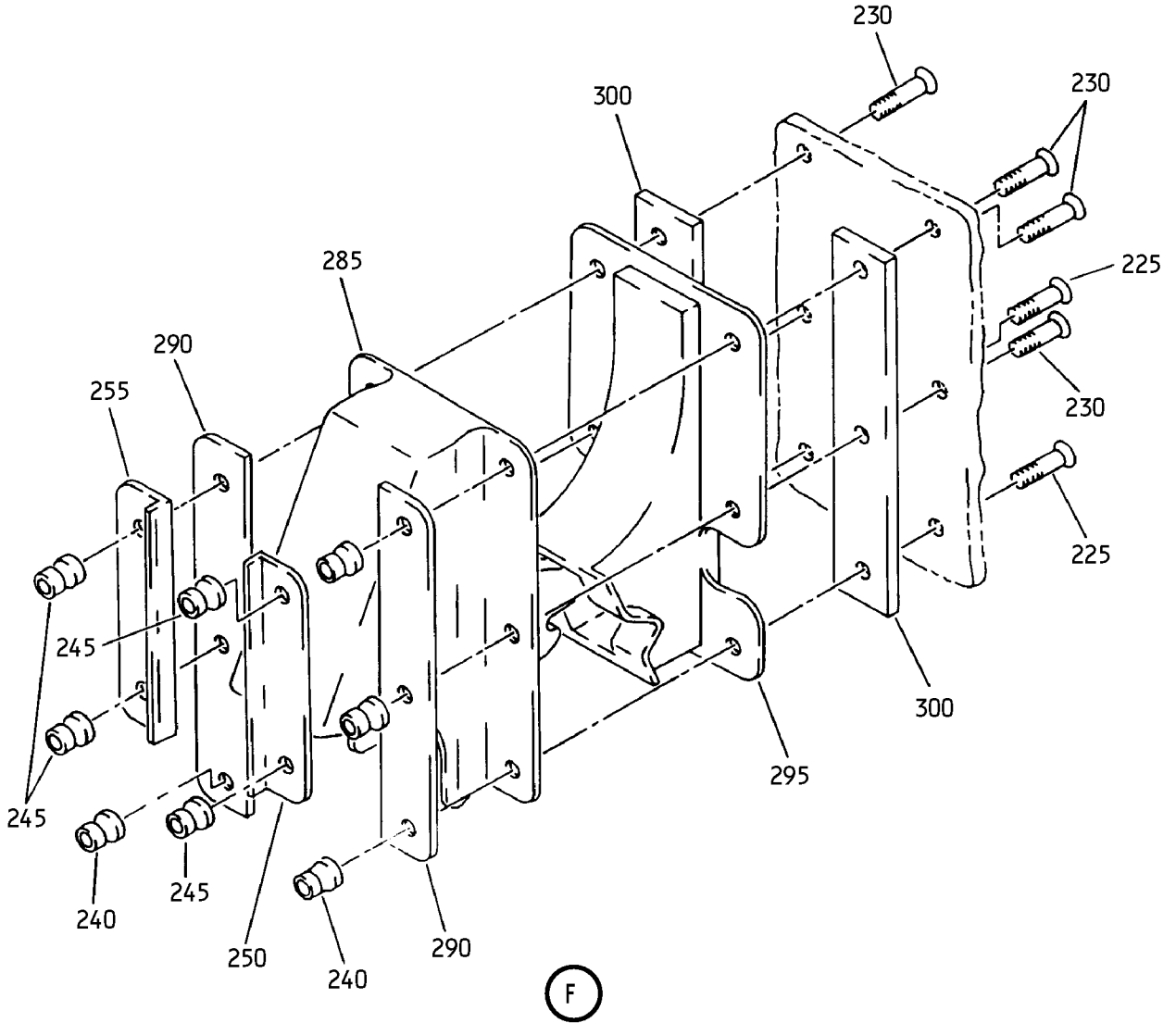
ILLUSTRATED PARTS LIST
01 Page 1025
Mar 01/04



Aft Fairing Strut Access Door Assembly
 Figure 1 (Sheet 4)

54-53-03

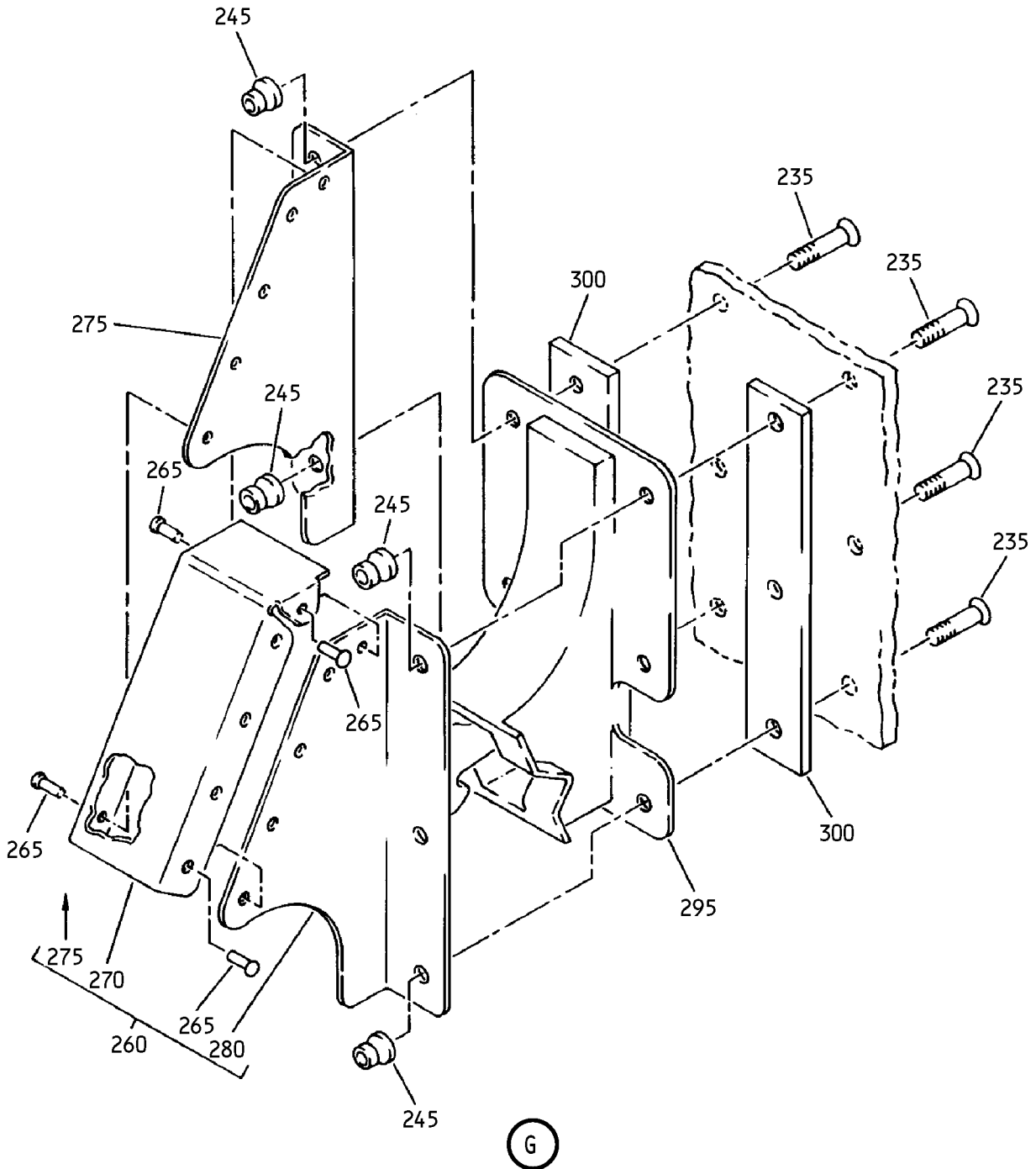
ILLUSTRATED PARTS LIST
 01 Page 1026
 Mar 01/04



Aft Fairing Strut Access Door Assembly
Figure 1 (Sheet 5)

54-53-03

ILLUSTRATED PARTS LIST
01 Page 1027
Mar 01/04



Aft Fairing Strut Access Door Assembly
Figure 1 (Sheet 6)

54-53-03

ILLUSTRATED PARTS LIST
01 Page 1028
Mar 01/04


BOEING
 COMPONENT
 MAINTENANCE MANUAL

FIG. & ITEM	PART NO.	AIRLINE PART NUMBER	NOMENCLATURE 1234567	EFF CODE	QTY PER ASSY
01- -1	313T5340-5		DOOR ASSY-OUTBD L STRUT ACCESS	A	RF
-1A	313T5340-15		DOOR ASSY-OUTBD NO. 2 STRUT ACCESS (FOR DETAILS SEE FIG. 3)	E	RF
-1B	313T5340-23		DOOR ASSY-OUTBD NO. 2 STRUT ACCESS (FOR DETAILS SEE FIG. 3)	J	RF
-5	313T5340-6		DOOR ASSY-OUTBD R STRUT ACCESS	B	RF
-5A	313T5340-16		DOOR ASSY-OUTBD NO. 2 STRUT ACCESS (FOR DETAILS SEE FIG. 3)	F	RF
-5B	313T5340-24		DOOR ASSY-OUTBD NO. 2 STRUT ACCESS (FOR DETAILS SEE FIG. 3)	K	RF
-10	313T5340-7		DOOR ASSY-INBD L STRUT ACCESS (FOR DETAILS SEE FIG. 2)	C	RF
-10A	313T5340-17		DOOR ASSY-INBD NO. 2 STRUT ACCESS (FOR DETAILS SEE FIG. 4)	G	RF
-10B	313T5340-25		DOOR ASSY-INBD NO. 2 STRUT ACCESS (FOR DETAILS SEE FIG. 4)	L	RF
-15	313T5340-8		DOOR ASSY-INBD R STRUT ACCESS (FOR DETAILS SEE FIG. 2)	D	RF
-15A	313T5340-18		DOOR ASSY-INBD NO. 2 STRUT ACCESS (FOR DETAILS SEE FIG. 4)	H	RF
-15B	313T5340-26		DOOR ASSY-INBD NO. 2 STRUT ACCESS (FOR DETAILS SEE FIG. 4)	M	RF
20	313T5340-5009		.DOOR ASSY- (LIMITED)	A	1
-20A	313T5340-5013		.DOOR ASSY- (LIMITED)	A	1
-25	313T5340-5010		.DOOR ASSY- (LIMITED)	B	1

54-53-03

 ILLUSTRATED PARTS LIST
 01 Page 1029
 Mar 01/04

FIG. & ITEM	PART NO.	AIRLINE PART NUMBER	NOMENCLATURE 1234567	EFF CODE	QTY PER ASSY
01- -25A	313T5340-5014		.DOOR ASSY- (LIMITED)	B	1
30	313T5335-1		..HINGE ASSY	A	1
-35	313T5335-2		..HINGE ASSY	B	1
40	HL441UC8-20		ATTACHING PARTS ..BOLT- (V97928) (SPEC BACB30FN8A20) (OPT HL441UC8-20 (V73197)) (OPT HL441UC8-20 (V56878)) (OPT HL441UC8-20 (V73197)) (OPT HL441UC8-20 (V92215)) (OPT HL441UC8-20 (V08524)) (OPT HL41PY8-20 (V80539)) (OPT HL441N8-20 (V80539)) (OPT 67068-8A20 (V56878)) (OPT 67068-8A20 (V56878)) (OPT L839-8A20 (V06725))	A,B	1
45	HL13VAZ8-17		..BOLT- (V56878) (SPEC BACB30NY8K17) (OPT HL13VAZ8-17 (V73197)) (OPT HL13VAZ8-17 (V92215)) (OPT HL13VAZ8-17 (V97928)) (OPT L801-8K17 (V06725)) (OPT HL13VAZ8-17 (V08524)) (OPT HL13V17 (V06725)) (OPT HL13VAZ8-17 (V17446))	A,B	5

54-53-03

 ILLUSTRATED PARTS LIST
 01 Page 1030
 Mar 01/04

BOEING
 COMPONENT
 MAINTENANCE MANUAL

FIG. & ITEM	PART NO.	AIRLINE PART NUMBER	NOMENCLATURE 1234567	EFF CODE	QTY PER ASSY
01-50	BACW10BN4SP		..WASHER	A,B	2
55	BACS40R031C050F		..SHIM	A,B	1
60	MS21042L4		..NUT	A,B	1
65	HL79-8		..COLLAR- (V5M902) (SPEC BACC30M8) (OPT HL79-8 (V73197)) (OPT HL79-8 (V92215)) (OPT 66014-8 (V56878)) (OPT HL79-8 (V56878)) -----*	A,B	5
70	VTB04450		DELETED		
70A	P20650		...BEARING ASSY- (V57606) (SPEC S302T001-206) (OPT VTB04450 (V06710))	A,B	1
75	313T5335-3		...HINGE	A	1
-80	313T5335-4		...HINGE	B	1
85	313T5331-5		..HINGE ASSY	A	1
-90	313T5331-6		..HINGE ASSY	B	1
95	HL13VAZ8-19		ATTACHING PARTS ..BOLT- (V56878) (SPEC BACB30NY8K19) (OPT HL13VAZ8-19 (V73197)) (OPT HL13VAZ8-19 (V92215)) (OPT HL13VAZ8-19 (V97928)) (OPT L801-8K19 (V06725)) (OPT HL13VAZ8-19 (V08524)) (OPT HL13V19 (V06725)) (OPT HL13VAZ8-19 (V17446))	A,B	6

54-53-03

ILLUSTRATED PARTS LIST
 01 Page 1031
 Mar 01/04

FIG. & ITEM	PART NO.	AIRLINE PART NUMBER	NOMENCLATURE 1234567	EFF CODE	QTY PER ASSY
01- 100 105 110	BACF3H14XM050BN BACS40R031C050F HL79-8		..FILLER ..SHIM ..COLLAR- (V5M902) (SPEC BACC30M8) (OPT HL79-8 (V73197)) (OPT HL79-8 (V92215)) (OPT 66014-8 (V56878)) (OPT HL79-8 (V56878)) -----*-----	A,B A,B A,B	2 1 6
115 115A	VTB04450 P20650		DELETED ...BEARING ASSY- (V57606) (SPEC S302T001-206) (OPT VTB04450 (V06710))	A,B	1

54-53-03

 ILLUSTRATED PARTS LIST
 01 Page 1032
 Mar 01/04



BOEING
 COMPONENT
 MAINTENANCE MANUAL

FIG. & ITEM	PART NO.	AIRLINE PART NUMBER	NOMENCLATURE 1234567	EFF CODE	QTY PER ASSY
01-					
120	313T5331-7		...HINGE	A	1
-125	313T5331-8		...HINGE	B	1
130	313T5330-5		..HINGE ASSY ATTACHING PARTS	A,B	1
135	HL441UC8-20		..BOLT- (V97928) (SPEC BACB30FN8A20) (OPT HL441UC8-20 (V73197)) (OPT HL441UC8-20 (V56878)) (OPT HL441UC8-20 (V73197)) (OPT HL441UC8-20 (V92215)) (OPT HL441UC8-20 (V08524)) (OPT HL41PY8-20 (V80539)) (OPT HL441N8-20 (V80539)) (OPT 67068-8A20 (V56878)) (OPT 67068-8A20 (V56878)) (OPT L839-8A20 (V06725))	A,B	1
140	HL13VAZ8-17		..BOLT- (V56878) (SPEC BACB30NY8K17) (OPT HL13VAZ8-17 (V73197)) (OPT HL13VAZ8-17 (V92215)) (OPT HL13VAZ8-17 (V97928)) (OPT L801-8K17 (V06725)) (OPT HL13VAZ8-17 (V08524)) (OPT HL13V17 (V06725)) (OPT HL13VAZ8-17 (V17446))	A,B	5

54-53-03

ILLUSTRATED PARTS LIST
 01 Page 1033
 Mar 01/04

FIG. & ITEM	PART NO.	AIRLINE PART NUMBER	NOMENCLATURE 1234567	EFF CODE	QTY PER ASSY
01-					
145	BACW10BN4SP		..WASHER	A,B	2
150	BACS40R031C050F		..SHIM	A,B	1
155	MS21042L4		..NUT	A,B	1
160	HL79-8		..COLLAR- (V5M902) (SPEC BACC30M8) (OPT HL79-8 (V73197)) (OPT HL79-8 (V92215)) (OPT 66014-8 (V56878)) (OPT HL79-8 (V56878)) -----*	A,B	5
165	VTB04450		DELETED		
165A	P20650		...BEARING ASSY- (V57606) (SPEC S302T001-206) (OPT VTB04450 (V06710))	A,B	1
170	313T5330-6		...HINGE	A,B	1
175	HL13VAZ8-14		..BOLT- (V56878) (SPEC BACB30NY8K14) (OPT HL13VAZ8-14 (V73197)) (OPT HL13VAZ8-14 (V92215)) (OPT HL13VAZ8-14 (V97928)) (OPT L801-8K14 (V06725)) (OPT HL13VAZ8-14 (V08524)) (OPT HL13V14 (V06725)) (OPT HL13VAZ8-14 (V17446))	A,B	12

54-53-03

 ILLUSTRATED PARTS LIST
 01 Page 1034
 Mar 01/04


BOEING
 COMPONENT
 MAINTENANCE MANUAL

FIG. & ITEM	PART NO.	AIRLINE PART NUMBER	NOMENCLATURE 1234567	EFF CODE	QTY PER ASSY
01-180	HL79-8		..COLLAR- (V5M902) (SPEC BACC30M8) (OPT HL79-8 (V73197)) (OPT HL79-8 (V92215)) (OPT 66014-8 (V56878)) (OPT HL79-8 (V56878))	A,B	12
185	313T3335-1		..PLATE-HINGE	A,B	1
190	BACS40R007C020F		..SHIM- (USED ON ITEMS 20, 25, 25A)	A,B	2
-190A	BACS40R007D020F		..SHIM- (USED ON ITEM 20A)	A	2
195	313T5337-5		..HINGE ASSY	A	1
-200	313T5337-2		..HINGE ASSY	B	1
205	VTB04450		DELETED		
205A	P20650		...BEARING ASSY- (V57606) (SPEC S302T001-206) (OPT VTB04450 (V06710))	A,B	1
210	313T5337-6		...HINGE	A	1
-215	313T5337-4		...HINGE	B	1
220	BACS40R012C021F		..SHIM- (USED ON ITEMS 20, 25, 25A)	A,B	2
-220A	BACS40R012C023F		..SHIM- (USED ON ITEM 20A)	A	2

54-53-03

ILLUSTRATED PARTS LIST

01

Page 1035

Mar 01/04

FIG. & ITEM	PART NO.	AIRLINE PART NUMBER	NOMENCLATURE 1234567	EFF CODE	QTY PER ASSY
01-225	HL13VAZ8-4		..BOLT- (V56878) (SPEC BACB30NY8K4) (OPT HL13VAZ8-4 (V73197)) (OPT HL13VAZ8-4 (V92215)) (OPT HL13VAZ8-4 (V97928)) (OPT L801-8K4 (V06725)) (OPT HL13VAZ8-4 (V08524)) (OPT HL13V4 (V06725)) (OPT HL13VAZ8-4 (V17446))	A,B	8
230	HL13VAZ8-5		..BOLT- (V56878) (SPEC BACB30NY8K5) (OPT HL13VAZ8-5 (V73197)) (OPT HL13VAZ8-5 (V92215)) (OPT HL13VAZ8-5 (V97928)) (OPT L801-8K5 (V06725)) (OPT HL13VAZ8-5 (V08524)) (OPT HL13V5 (V06725)) (OPT HL13VAZ8-5 (V17446))	A,B	4

54-53-03

 ILLUSTRATED PARTS LIST
 01 Page 1036
 Mar 01/04


BOEING
 COMPONENT
 MAINTENANCE MANUAL

FIG. & ITEM	PART NO.	AIRLINE PART NUMBER	NOMENCLATURE 1234567	EFF CODE	QTY PER ASSY
01-235	HL13VAZ8-5		..BOLT- (V56878) (SPEC BACB30NY8K5) (OPT HL13VAZ8-5 (V73197)) (OPT HL13VAZ8-5 (V92215)) (OPT HL13VAZ8-5 (V97928)) (OPT L801-8K5 (V06725)) (OPT HL13VAZ8-5 (V08524)) (OPT HL13V5 (V06725)) (OPT HL13VAZ8-5 (V17446)) (USED WITH ITEM 260)	A,B	12
-235A	HL13VAZ8-7		..BOLT- (V56878) (SPEC BACB30NY8K7) (OPT HL13VAZ8-7 (V73197)) (OPT HL13VAZ8-7 (V92215)) (OPT HL13VAZ8-7 (V97928)) (OPT L801-8K7 (V06725)) (OPT HL13VAZ8-7 (V08524)) (OPT HL13V7 (V06725)) (OPT HL13VAZ8-7 (V17446)) (USED WITH ITEM 285)	A,B	12

54-53-03

ILLUSTRATED PARTS LIST

01

Page 1037

Mar 01/04

FIG. & ITEM	PART NO.	AIRLINE PART NUMBER	NOMENCLATURE 1234567	EFF CODE	QTY PER ASSY
01-240	HL97DU8		..COLLAR- (V73197) (SPEC BACC30AB8S) (OPT HL97DU8 (V92215)) (OPT HL97DU8 (V56878))	A,B	8
245	HL79-8		..COLLAR- (V5M902) (SPEC BACC30M8) (OPT HL79-8 (V73197)) (OPT HL79-8 (V92215)) (OPT 66014-8 (V56878)) (OPT HL79-8 (V56878))	A,B	16
250	313T5340-9		..CLIP	A,B	1
255	313T5340-10		..CLIP	A,B	1
260	313T5342-1		..COVER ASSY-LATCH (OPT ITEM 285)	A,B	2
265	BACR15BB5AD		...RIVET- (SIZE DETERMINE ON INST)	A,B	10
270	313T5342-5		...BRACKET	A,B	1
275	313T5342-3		...BRACKET	A,B	1
280	313T5342-4		...BRACKET	A,B	1
285	313T5342-7		..COVER-LATCH (OPT ITEM 260)	A,B	2
290	BACF3H08RP056HN		..FILLER- (USED WITH ITEM 285)	A,B	4
295	9781		..LATCH ASSY- (V84256) (SPEC S313T501-1) (OPT ITEM 295A)	A,B	4
-295A	9781-2		..LATCH ASSY- (V84256) (SPEC S313T501-2) (OPT ITEM 295)	A,B	4
300	BACS40R009W054		..SHIM	A,B	8

54-53-03

 ILLUSTRATED PARTS LIST
 01 Page 1038
 Mar 01/04


BOEING
 COMPONENT
 MAINTENANCE MANUAL

FIG. & ITEM	PART NO.	AIRLINE PART NUMBER	NOMENCLATURE 1234567	EFF CODE	QTY PER ASSY
01- 305	313T5341-5		..PANEL ASSY-DOOR (USED ON ITEM 20)	A	1
-305A	313T5341-33		..PANEL ASSY-DOOR (USED ON ITEM 20A)	A	1
-310	313T5341-6		..PANEL ASSY-DOOR (USED ON ITEM 25)	B	1
-310A	313T5341-34		..PANEL ASSY-DOOR (USED ON ITEM 25A)	B	1

R

- Item Not Illustrated

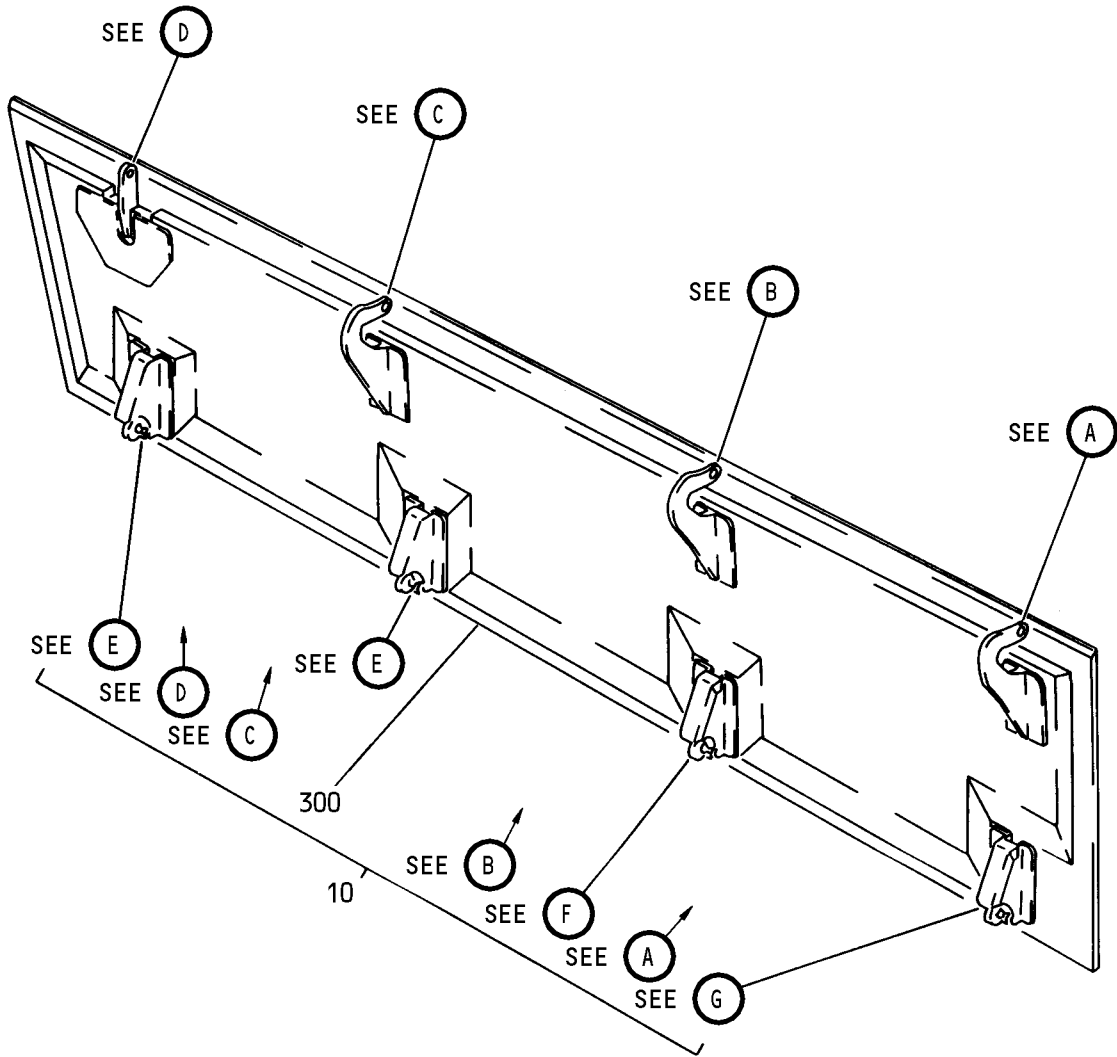
54-53-03

ILLUSTRATED PARTS LIST

01

Page 1039

Mar 01/04

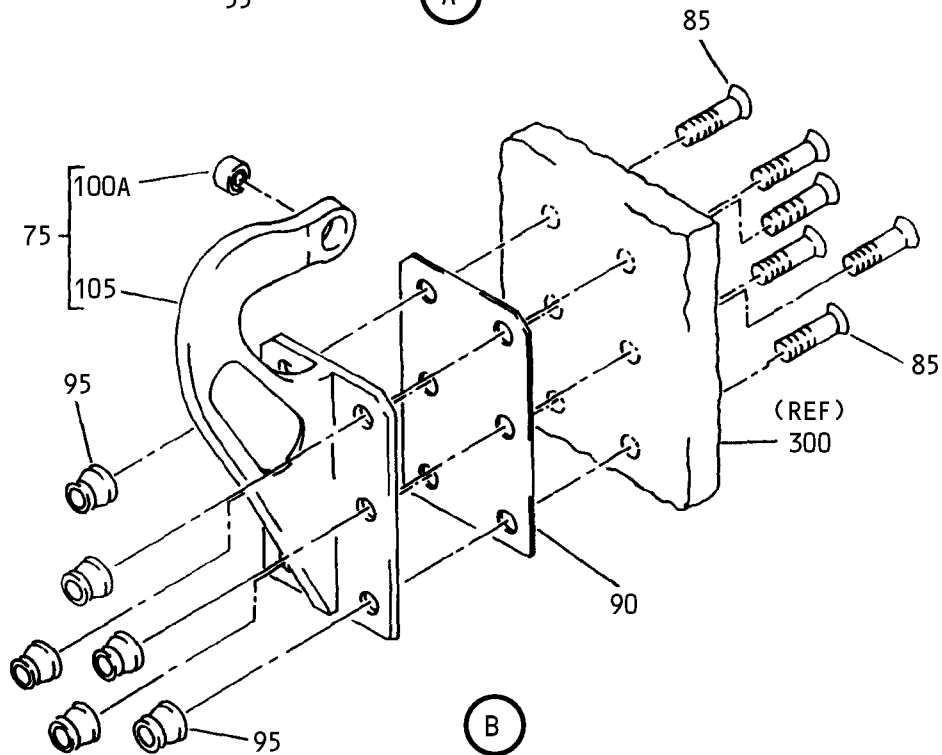
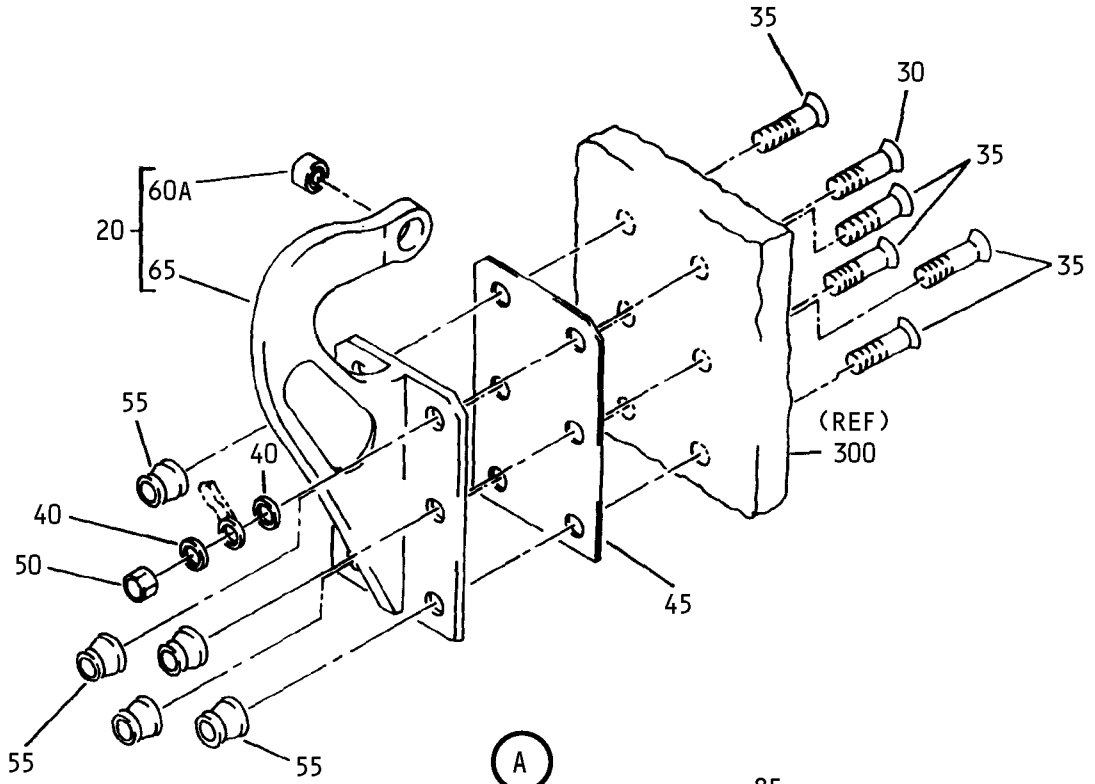


Inboard Door Assembly, Strut Access
 Figure 2 (Sheet 1)

54-53-03

ILLUSTRATED PARTS LIST
 01 Page 1040
 Mar 01/04

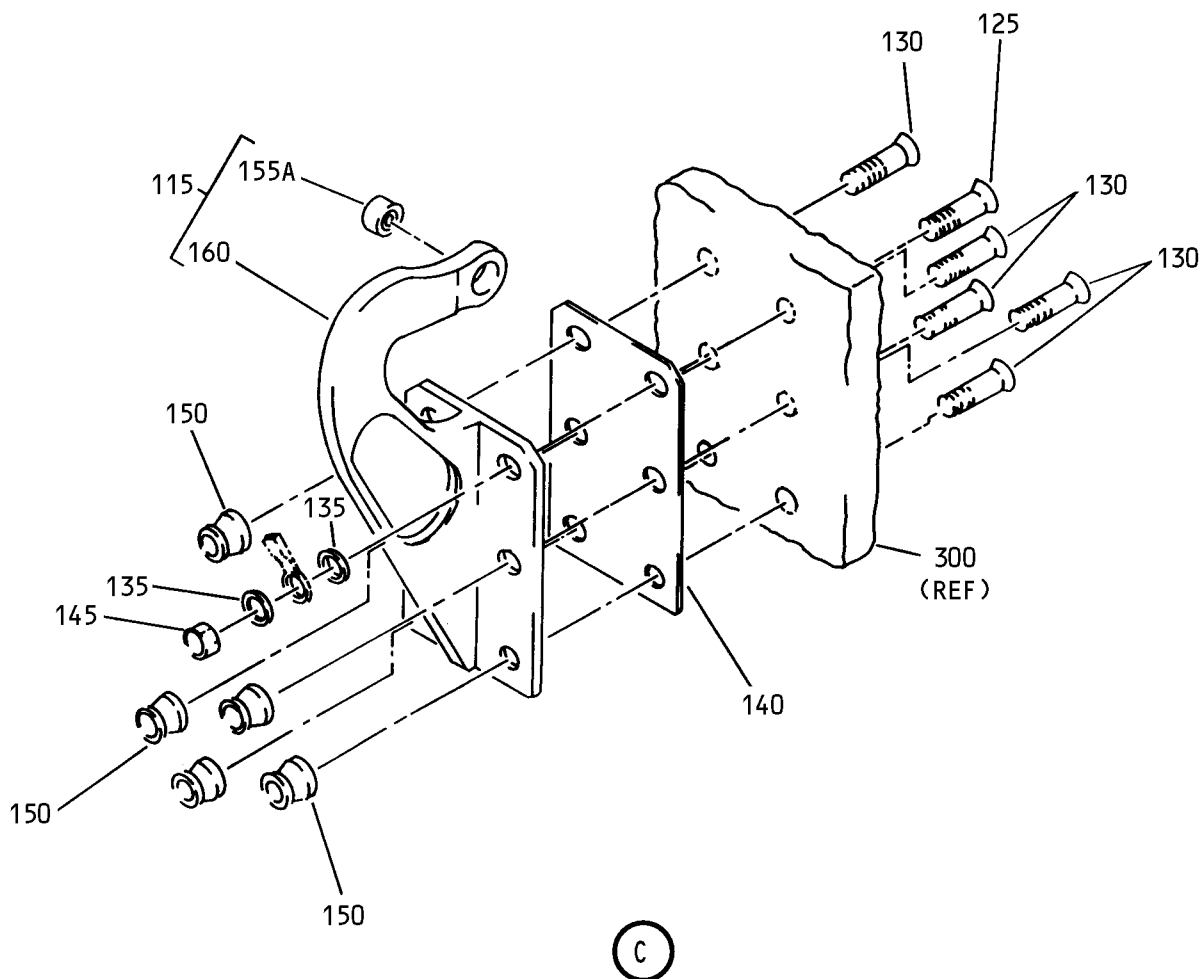
N30680



Inboard Door Assembly, Strut Access
Figure 2 (Sheet 2)

54-53-03

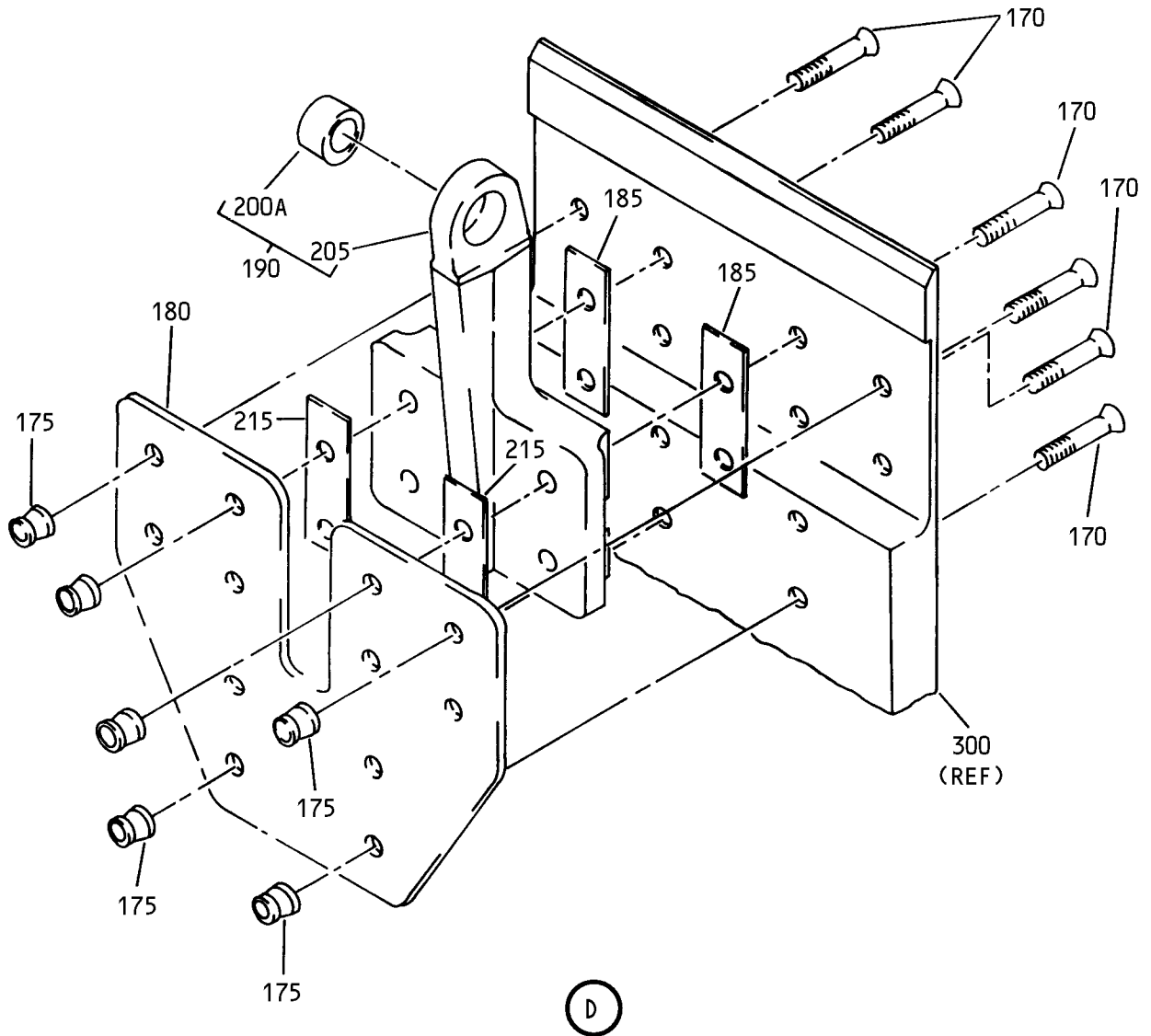
ILLUSTRATED PARTS LIST
01 Page 1041
Mar 01/04



Inboard Door Assembly, Strut Access
Figure 2 (Sheet 3)

54-53-03

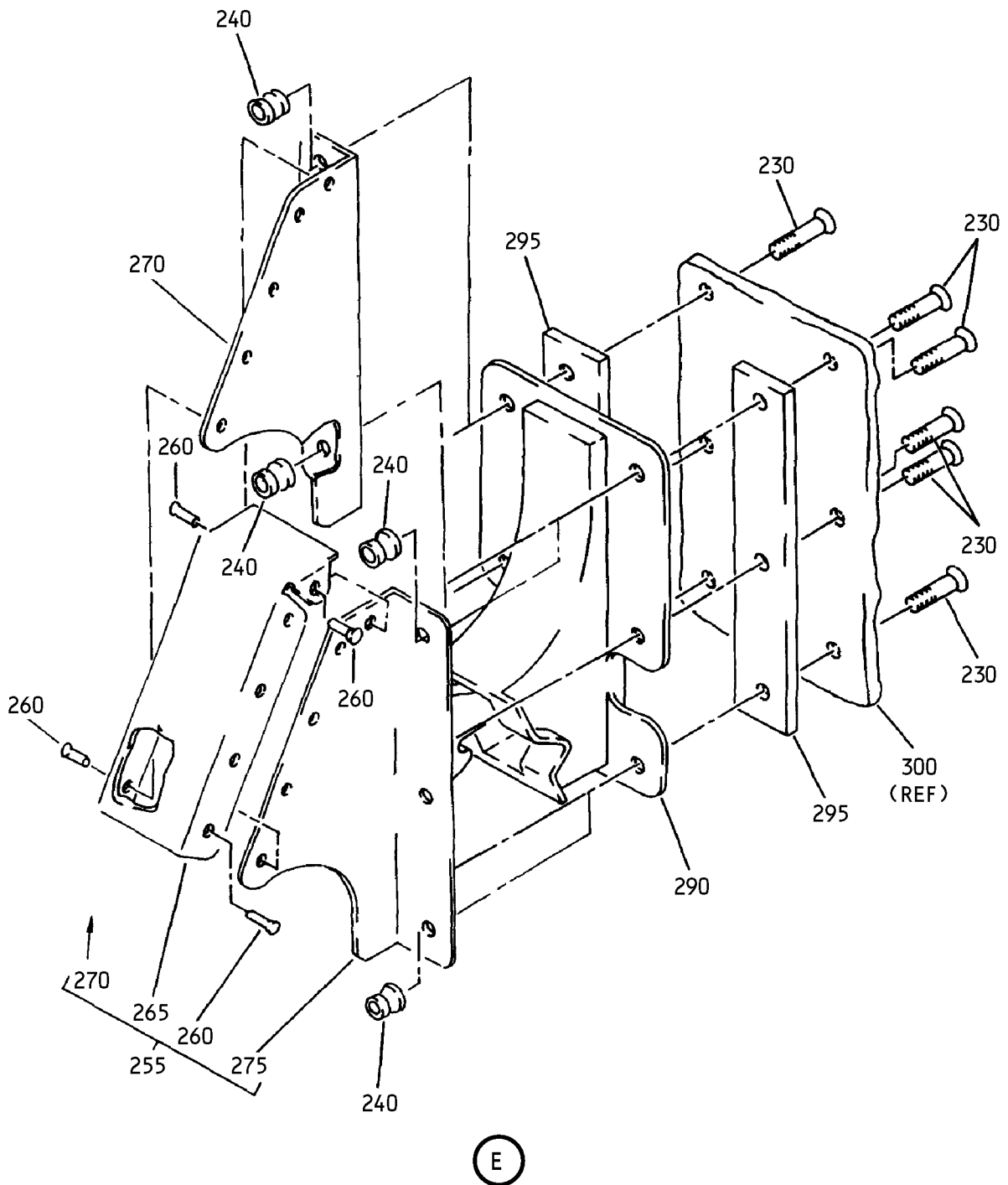
ILLUSTRATED PARTS LIST
01 Page 1042
Mar 01/04



Inboard Door Assembly, Strut Access
Figure 2 (Sheet 4)

54-53-03

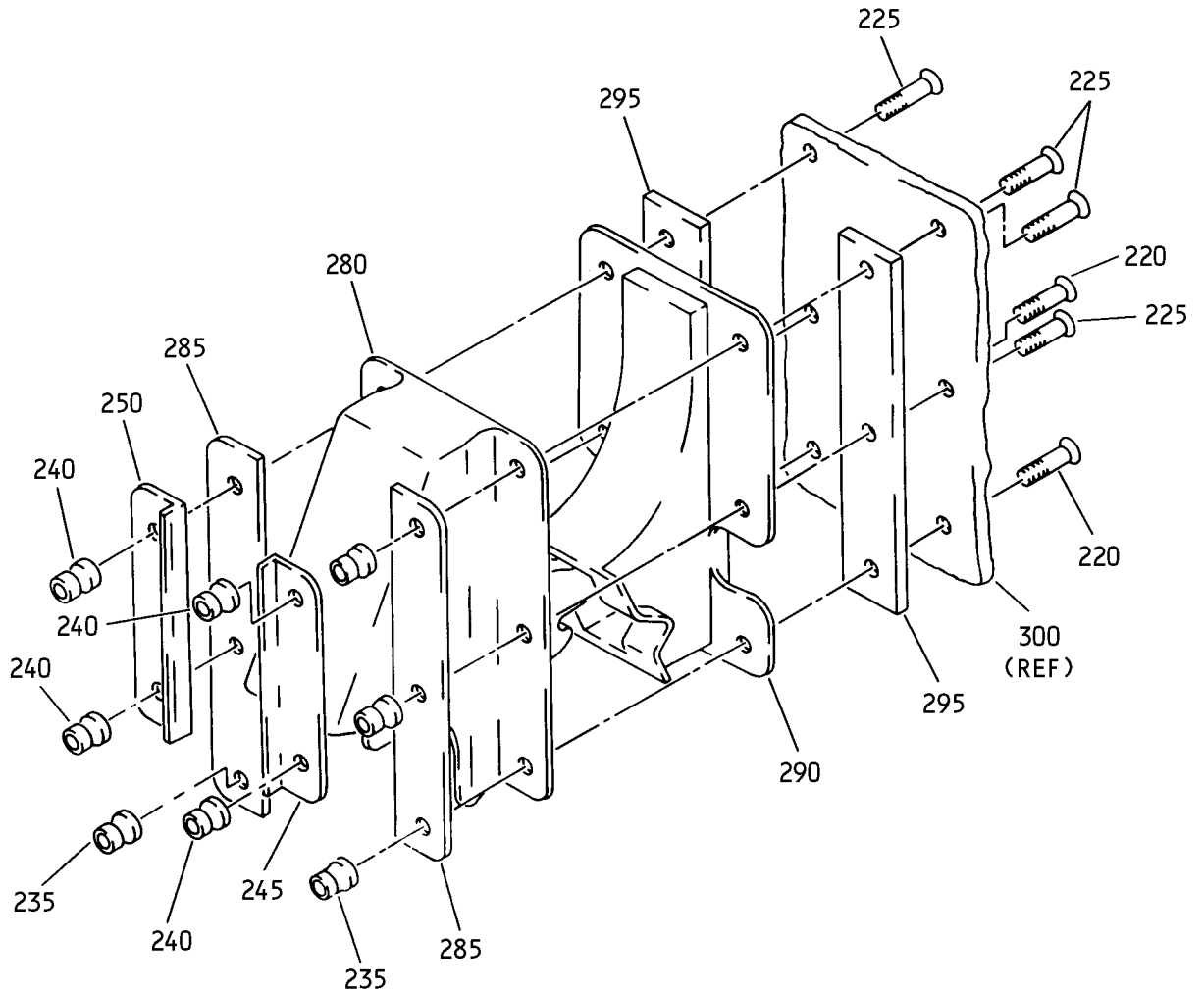
ILLUSTRATED PARTS LIST
01 Page 1043
Mar 01/04



Inboard Door Assembly, Strut Access
Figure 2 (Sheet 5)

54-53-03

ILLUSTRATED PARTS LIST
01 Page 1044
Mar 01/04

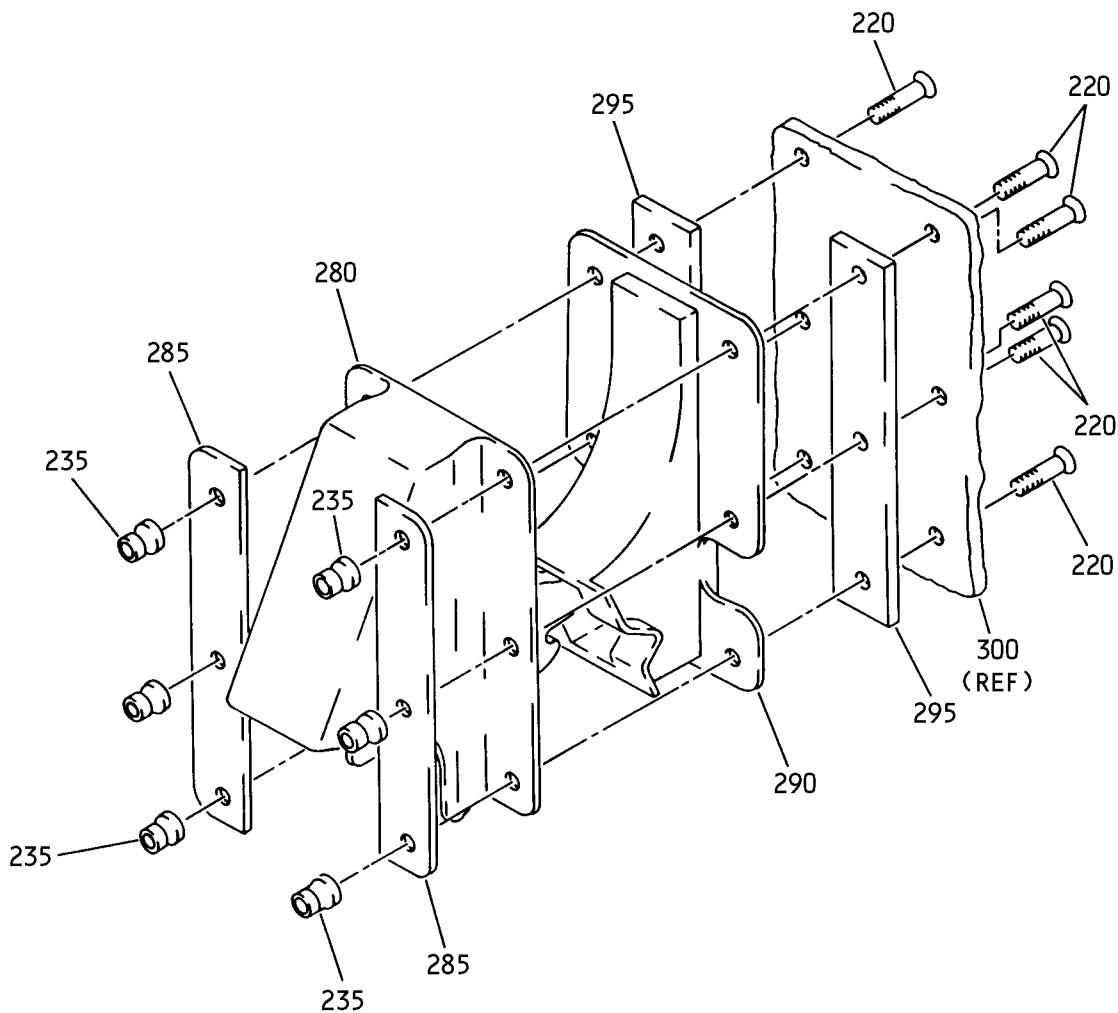


F

Inboard Door Assembly, Strut Access
Figure 2 (Sheet 6)

54-53-03

ILLUSTRATED PARTS LIST
01 Page 1045
Mar 01/04



G

Inboard Door Assembly, Strut Access
Figure 2 (Sheet 7)

54-53-03

ILLUSTRATED PARTS LIST
01 Page 1046
Mar 01/04


BOEING
 COMPONENT
 MAINTENANCE MANUAL

FIG. & ITEM	PART NO.	AIRLINE PART NUMBER	NOMENCLATURE 1234567	EFF CODE	QTY PER ASSY
02- -1	313T5340-7		DOOR ASSY-INBD L STRUT ACCESS	C	RF
-5	313T5340-8		DOOR ASSY-INBD R STRUT ACCESS	D	RF
10	313T5340-5011		.DOOR ASSY-(LIMITED)	C	1
-10A	313T5340-5015		.DOOR ASSY-(LIMITED)	C	1
-15	313T5340-5012		.DOOR ASSY-(LIMITED)	D	1
-15A	313T5340-5016		.DOOR ASSY-(LIMITED)	D	1
20	313T5334-1		..HINGE ASSY	C	1
-25	313T5334-2		..HINGE ASSY	D	1
30	HL441UC8-20		ATTACHING PARTS ..BOLT-(V97928) (SPEC BACB30FN8A20) (OPT HL441UC8-20 (V73197)) (OPT HL441UC8-20 (V56878)) (OPT HL441UC8-20 (V73197)) (OPT HL441UC8-20 (V92215)) (OPT HL441UC8-20 (V08524)) (OPT HL41PY8-20 (V80539)) (OPT HL441N8-20 (V80539)) (OPT 67068-8A20 (V56878)) (OPT 67068-8A20 (V56878)) (OPT L839-8A20 (V06725))	C,D	1

54-53-03

ILLUSTRATED PARTS LIST

01

Page 1047

Mar 01/04

FIG. & ITEM	PART NO.	AIRLINE PART NUMBER	NOMENCLATURE 1234567	EFF CODE	QTY PER ASSY
02-35	HL13VAZ8-17		..BOLT- (V56878) (SPEC BACB30NY8K17) (OPT HL13VAZ8-17 (V73197)) (OPT HL13VAZ8-17 (V92215)) (OPT HL13VAZ8-17 (V97928)) (OPT L801-8K17 (V06725)) (OPT HL13VAZ8-17 (V08524)) (OPT HL13V17 (V06725)) (OPT HL13VAZ8-17 (V17446))	C,D	5
40	BACW10BN4SP		..WASHER	C,D	2
45	BACS40R031C050F		..SHIM	C,D	1
50	MS21042L4		..NUT	C,D	1
55	HL79-8		..COLLAR- (V5M902) (SPEC BACC30M8) (OPT HL79-8 (V73197)) (OPT HL79-8 (V92215)) (OPT 66014-8 (V56878)) (OPT HL79-8 (V56878)) -----*	C,D	5
60 60A	VTB04450 P20650		DELETED ...BEARING ASSY- (V57606) (SPEC S302T001-206) (OPT VTB04450 (V06710))	C,D	1

54-53-03

 ILLUSTRATED PARTS LIST
 01 Page 1048
 Mar 01/04


BOEING
 COMPONENT
 MAINTENANCE MANUAL

FIG. & ITEM	PART NO.	AIRLINE PART NUMBER	NOMENCLATURE 1234567	EFF CODE	QTY PER ASSY
02-					
65	313T5334-3		...HINGE	C	1
-70	313T5334-4		...HINGE	D	1
75	313T5333-1		..HINGE ASSY	C	1
-80	313T5333-2		..HINGE ASSY	D	1
			ATTACHING PARTS		
85	HL13VAZ8-17		..BOLT- (V56878) (SPEC BACB30NY8K17) (OPT HL13VAZ8-17 (V73197)) (OPT HL13VAZ8-17 (V92215)) (OPT HL13VAZ8-17 (V97928)) (OPT L801-8K17 (V06725)) (OPT HL13VAZ8-17 (V08524)) (OPT HL13V17 (V06725)) (OPT HL13VAZ8-17 (V17446))	C,D	6
90	BACS40R031C050F		..SHIM	C,D	1
95	HL79-8		..COLLAR- (V5M902) (SPEC BACC30M8) (OPT HL79-8 (V73197)) (OPT HL79-8 (V92215)) (OPT 66014-8 (V56878)) (OPT HL79-8 (V56878)) -----*	C,D	6

54-53-03

ILLUSTRATED PARTS LIST

01

Page 1049

Mar 01/04

FIG. & ITEM	PART NO.	AIRLINE PART NUMBER	NOMENCLATURE 1234567	EFF CODE	QTY PER ASSY
02- 100 100A	VTB04450 P20650		DELETED ...BEARING ASSY- (V57606) (SPEC S302T001-206) (OPT VTB04450 (V06710))	C,D	1
105	313T5333-3		...HINGE	C	1
-110	313T5333-4		...HINGE	D	1
115	313T5332-1		..HINGE ASSY	C	1
-120	313T5332-2		..HINGE ASSY	D	1
			ATTACHING PARTS		
125	HL441UC8-20		..BOLT- (V97928) (SPEC BACB30FN8A20) (OPT HL441UC8-20 (V73197)) (OPT HL441UC8-20 (V56878)) (OPT HL441UC8-20 (V73197)) (OPT HL441UC8-20 (V92215)) (OPT HL441UC8-20 (V08524)) (OPT HL41PY8-20 (V80539)) (OPT HL441N8-20 (V80539)) (OPT 67068-8A20 (V56878)) (OPT 67068-8A20 (V56878)) (OPT L839-8A20 (V06725))	C,D	1

54-53-03

ILLUSTRATED PARTS LIST

01

Page 1050

Mar 01/04


BOEING
 COMPONENT
 MAINTENANCE MANUAL

FIG. & ITEM	PART NO.	AIRLINE PART NUMBER	NOMENCLATURE 1234567	EFF CODE	QTY PER ASSY
02-130	HL13VAZ8-17		..BOLT- (V56878) (SPEC BACB30NY8K17) (OPT HL13VAZ8-17 (V73197)) (OPT HL13VAZ8-17 (V92215)) (OPT HL13VAZ8-17 (V97928)) (OPT L801-8K17 (V06725)) (OPT HL13VAZ8-17 (V08524)) (OPT HL13V17 (V06725)) (OPT HL13VAZ8-17 (V17446))	C,D	5
135	BACW10BN4SP		..WASHER	C,D	2
140	BACS4OR031C050F		..SHIM	C,D	1
145	MS21042L4		..NUT	C,D	1
150	HL79-8		..COLLAR- (V5M902) (SPEC BACC30M8) (OPT HL79-8 (V73197)) (OPT HL79-8 (V92215)) (OPT 66014-8 (V56878)) (OPT HL79-8 (V56878)) -----*	C,D	5
155	VTB04450		DELETED		
155A	P20650		...BEARING ASSY- (V57606) (SPEC S302T001-206) (OPT VTB04450 (V06710))	C,D	1

54-53-03

ILLUSTRATED PARTS LIST

01

Page 1051

Mar 01/04

FIG. & ITEM	PART NO.	AIRLINE PART NUMBER	NOMENCLATURE 1234567	EFF CODE	QTY PER ASSY
02- 160	313T5332-3		...HINGE	C	1
-165	313T5332-4		...HINGE	D	1
170	HL13VAZ8-14		..BOLT- (V56878) (SPEC BACB30NY8K14) (OPT HL13VAZ8-14 (V73197)) (OPT HL13VAZ8-14 (V92215)) (OPT HL13VAZ8-14 (V97928)) (OPT L801-8K14 (V06725)) (OPT HL13VAZ8-14 (V08524)) (OPT HL13V14 (V06725)) (OPT HL13VAZ8-14 (V17446))	C,D	12
175	HL79-8		..COLLAR- (V5M902) (SPEC BACC30M8) (OPT HL79-8 (V73197)) (OPT HL79-8 (V92215)) (OPT 66014-8 (V56878)) (OPT HL79-8 (V56878))	C,D	12
180	313T3335-1		..PLATE-HINGE	C,D	1
185	BACS40R007C020F		..SHIM	C,D	2
190	313T5336-1		..HINGE ASSY	C	1
-195	313T5336-2		..HINGE ASSY	D	1
200	VTB04450		DELETED		
200A	P20650		...BEARING ASSY- (V57606) (SPEC S302T001-206) (OPT VTB04450 (V06710))	C,D	1

54-53-03

 ILLUSTRATED PARTS LIST
 01 Page 1052
 Mar 01/04

BOEING
 COMPONENT
 MAINTENANCE MANUAL

FIG. & ITEM	PART NO.	AIRLINE PART NUMBER	NOMENCLATURE 1234567	EFF CODE	QTY PER ASSY
02-					
205	313T5336-3		...HINGE	C	1
-210	313T5336-4		...HINGE	D	1
215	BACS40R012C021F		..SHIM	C,D	2
220	HL13VAZ8-4		..BOLT- (V56878) (SPEC BACB30NY8K4) (OPT HL13VAZ8-4 (V73197)) (OPT HL13VAZ8-4 (V92215)) (OPT HL13VAZ8-4 (V97928)) (OPT L801-8K4 (V06725)) (OPT HL13VAZ8-4 (V08524)) (OPT HL13V4 (V06725)) (OPT HL13VAZ8-4 (V17446))	C,D	8
225	HL13VAZ8-5		..BOLT- (V56878) (SPEC BACB30NY8K5) (OPT HL13VAZ8-5 (V73197)) (OPT HL13VAZ8-5 (V92215)) (OPT HL13VAZ8-5 (V97928)) (OPT L801-8K5 (V06725)) (OPT HL13VAZ8-5 (V08524)) (OPT HL13V5 (V06725)) (OPT HL13VAZ8-5 (V17446))	C,D	4

54-53-03

ILLUSTRATED PARTS LIST
 01 Page 1053
 Mar 01/04

FIG. & ITEM	PART NO.	AIRLINE PART NUMBER	NOMENCLATURE 1234567	EFF CODE	QTY PER ASSY
02-230	HL13VAZ8-5		..BOLT- (V56878) (SPEC BACB30NY8K5) (OPT HL13VAZ8-5 (V73197)) (OPT HL13VAZ8-5 (V92215)) (OPT HL13VAZ8-5 (V97928)) (OPT L801-8K5 (V06725)) (OPT HL13VAZ8-5 (V08524)) (OPT HL13V5 (V06725)) (OPT HL13VAZ8-5 (V17446)) (USED WITH ITEM 255)	C,D	12
-230A	HL13VAZ8-7		..BOLT- (V56878) (SPEC BACB30NY8K7) (OPT HL13VAZ8-7 (V73197)) (OPT HL13VAZ8-7 (V92215)) (OPT HL13VAZ8-7 (V97928)) (OPT L801-8K7 (V06725)) (OPT HL13VAZ8-7 (V08524)) (OPT HL13V7 (V06725)) (OPT HL13VAZ8-7 (V17446)) (USED WITH ITEM 280)	C,D	12

54-53-03

ILLUSTRATED PARTS LIST

01

Page 1054

Mar 01/04


BOEING
 COMPONENT
 MAINTENANCE MANUAL

FIG. & ITEM	PART NO.	AIRLINE PART NUMBER	NOMENCLATURE 1234567	EFF CODE	QTY PER ASSY
02-235	HL97DU8		..COLLAR- (V73197) (SPEC BACC30AB8S) (OPT HL97DU8 (V92215)) (OPT HL97DU8 (V56878))	C,D	8
240	HL79-8		..COLLAR- (V5M902) (SPEC BACC30M8) (OPT HL79-8 (V73197)) (OPT HL79-8 (V92215)) (OPT 66014-8 (V56878)) (OPT HL79-8 (V56878))	C,D	16
245	313T5340-9		..CLIP	C,D	1
250	313T5340-10		..CLIP	C,D	1
255	313T5342-1		..COVER ASSY-LATCH	C,D	2
260	BACR15BB5AD		...RIVET- (SIZE DETERMINE ON INST)	C,D	10
265	313T5342-5		...BRACKET	C,D	1
270	313T5342-3		...BRACKET	C,D	1
275	313T5342-4		...BRACKET	C,D	1
280	313T5342-7		..COVER-LATCH	C,D	2
285	BACF3H08RPO56HN		..FILLER- (USED WITH ITEM 280)	C,D	4
290	9781		..LATCH ASSY- (V84256) (SPEC S313T501-1) (OPT ITEM 290A)	C,D	4
-290A	9781-2		..LATCH ASSY- (V84256) (SPEC S313T501-2) (OPT ITEM 290)	C,D	4
295	BACS40R009W054		..SHIM	C,D	8

54-53-03

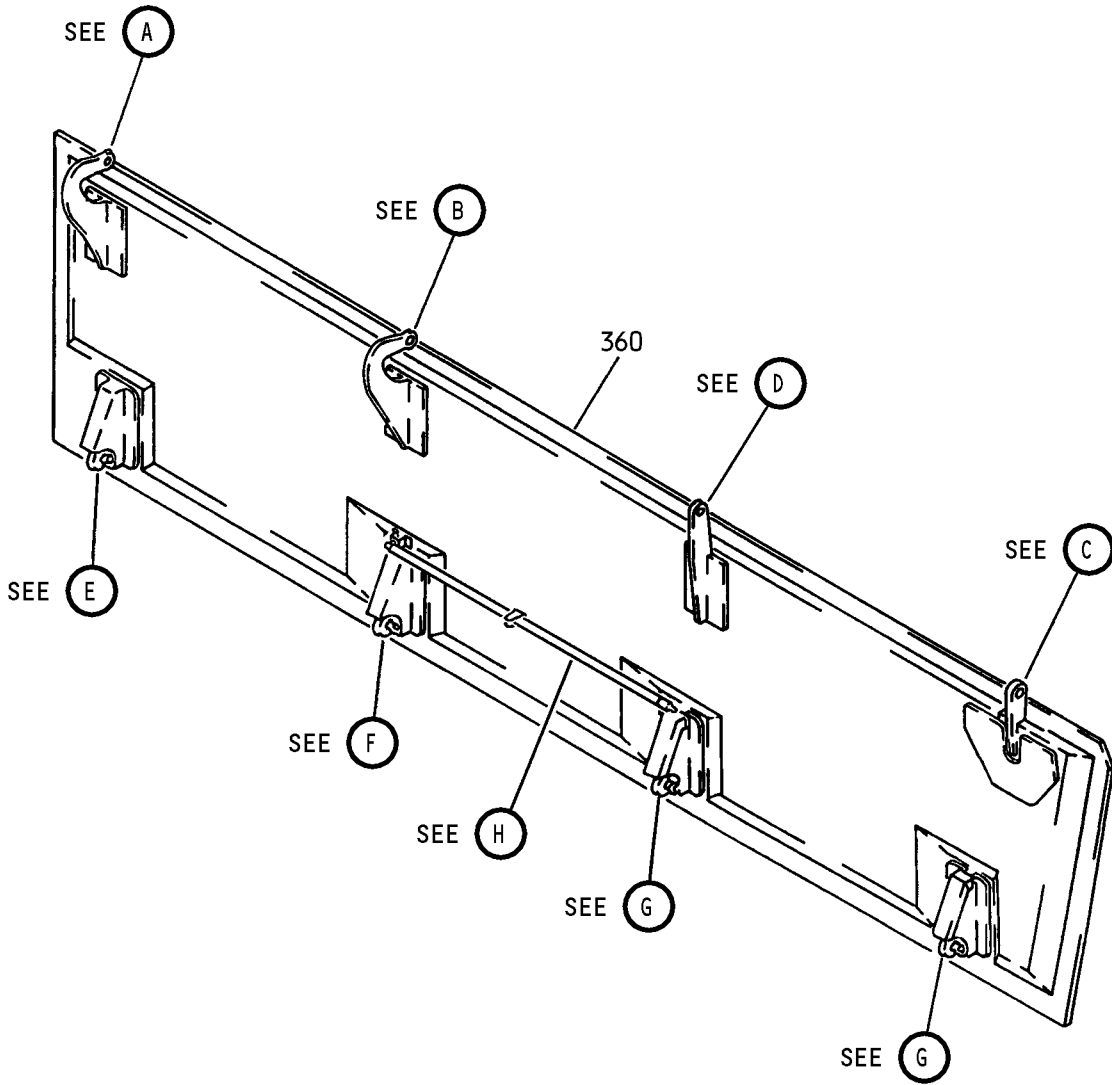
 ILLUSTRATED PARTS LIST
 01 Page 1055
 Mar 01/04

FIG. & ITEM	PART NO.	AIRLINE PART NUMBER	NOMENCLATURE 1234567	EFF CODE	QTY PER ASSY
02-300	313T5341-7		..PANEL ASSY-DOOR (USED ON ITEM 10)	C	1
-300A	313T5341-35		..PANEL ASSY-DOOR (USED ON ITEM 10A)	C	1
-305	313T5341-8		..PANEL ASSY-DOOR (USED ON ITEM 15)	D	1
-305A	313T5341-36		..PANEL ASSY-DOOR (USED ON ITEM 15A)	D	1

- Item Not Illustrated

54-53-03

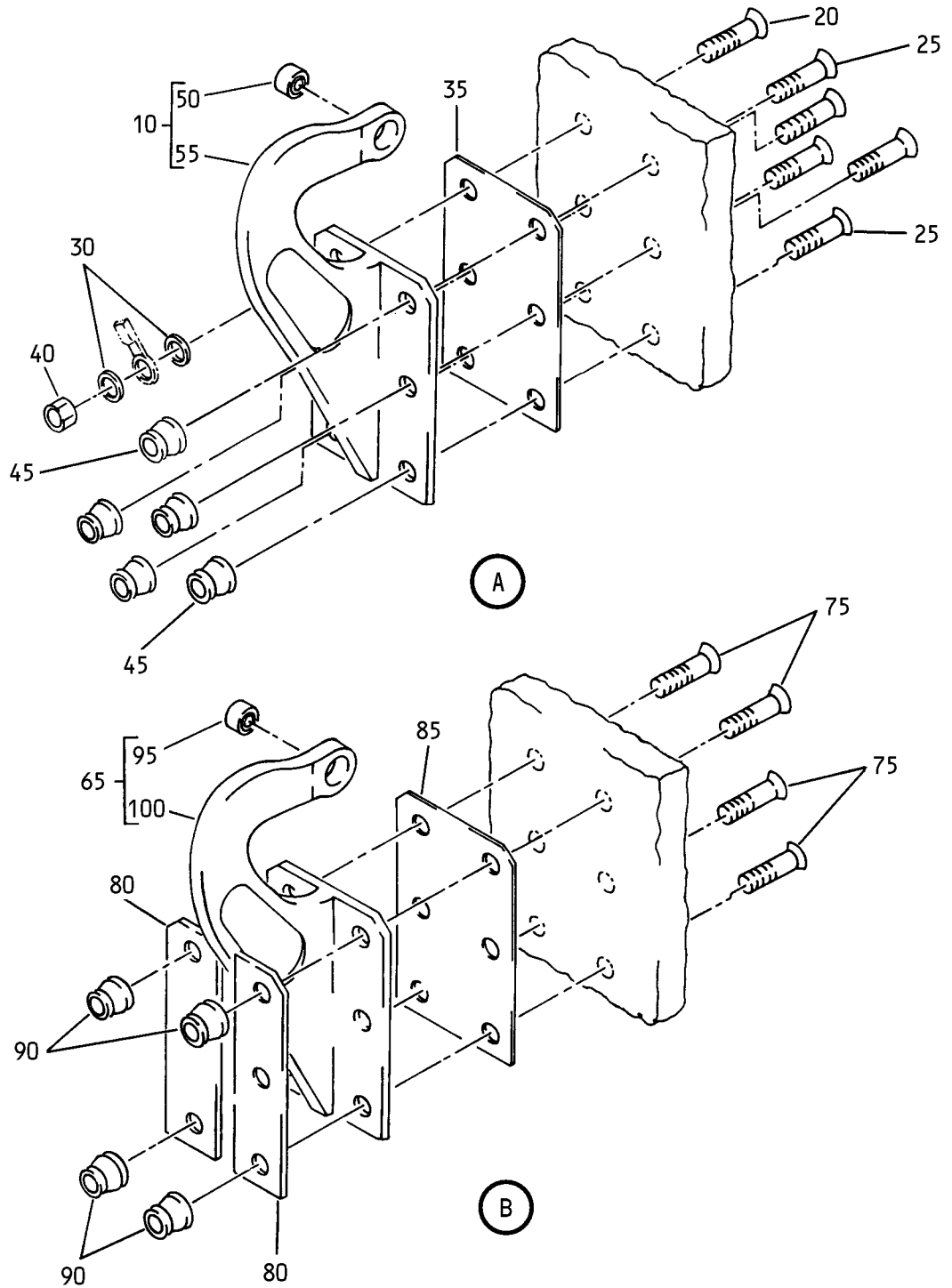
ILLUSTRATED PARTS LIST
 01 Page 1056
 Mar 01/04



Outboard Door Assembly, No. 1 and 2 Strut Access
Figure 3 (Sheet 1)

54-53-03

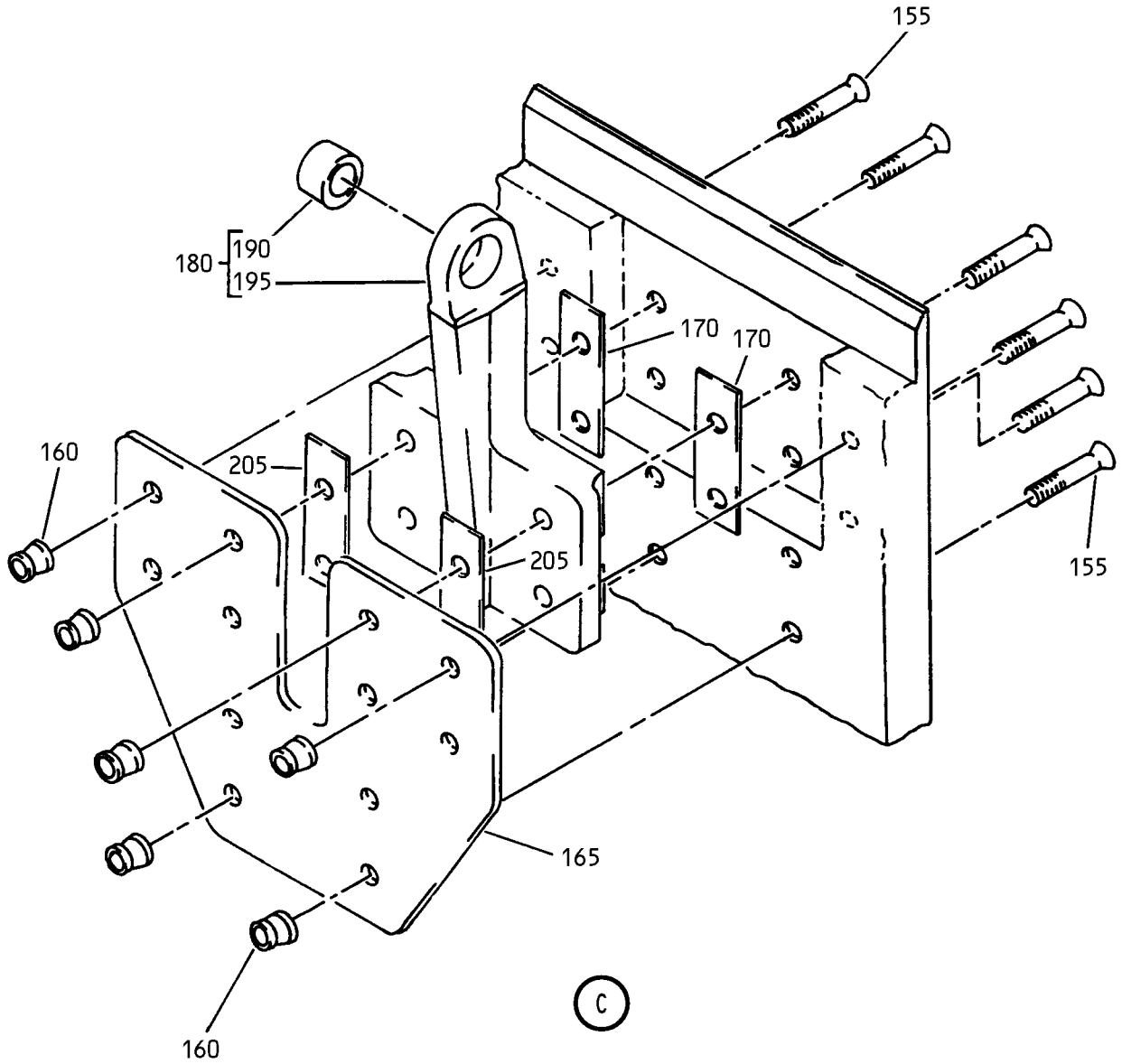
ILLUSTRATED PARTS LIST
01 Page 1057
Mar 01/04



Outboard Door Assembly, No. 1 and 2 Strut Access
 Figure 3 (Sheet 2)

54-53-03

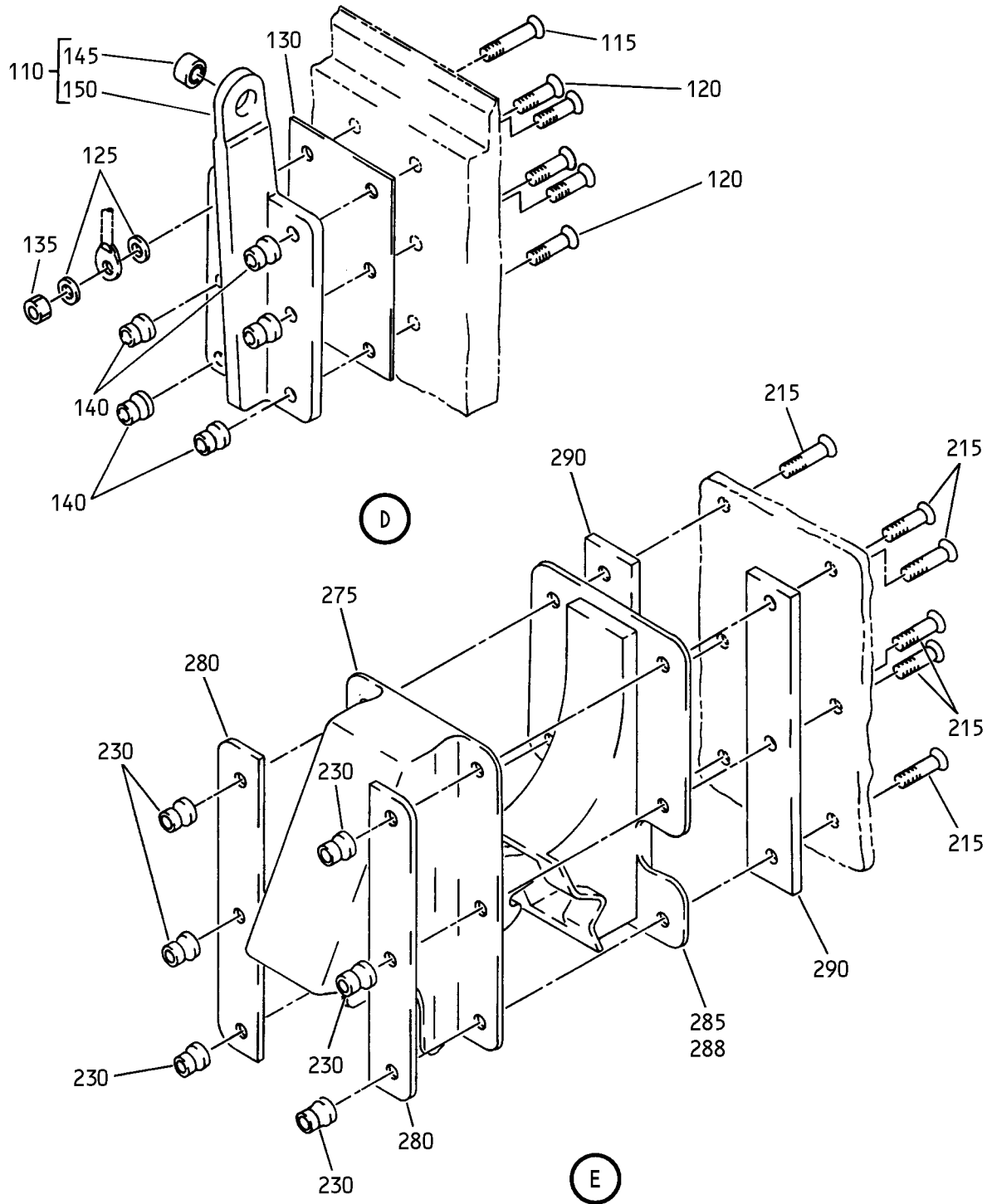
ILLUSTRATED PARTS LIST
 01 Page 1058
 Mar 01/04



Outboard Door Assembly, No. 1 and 2 Strut Access
 Figure 3 (Sheet 3)

54-53-03

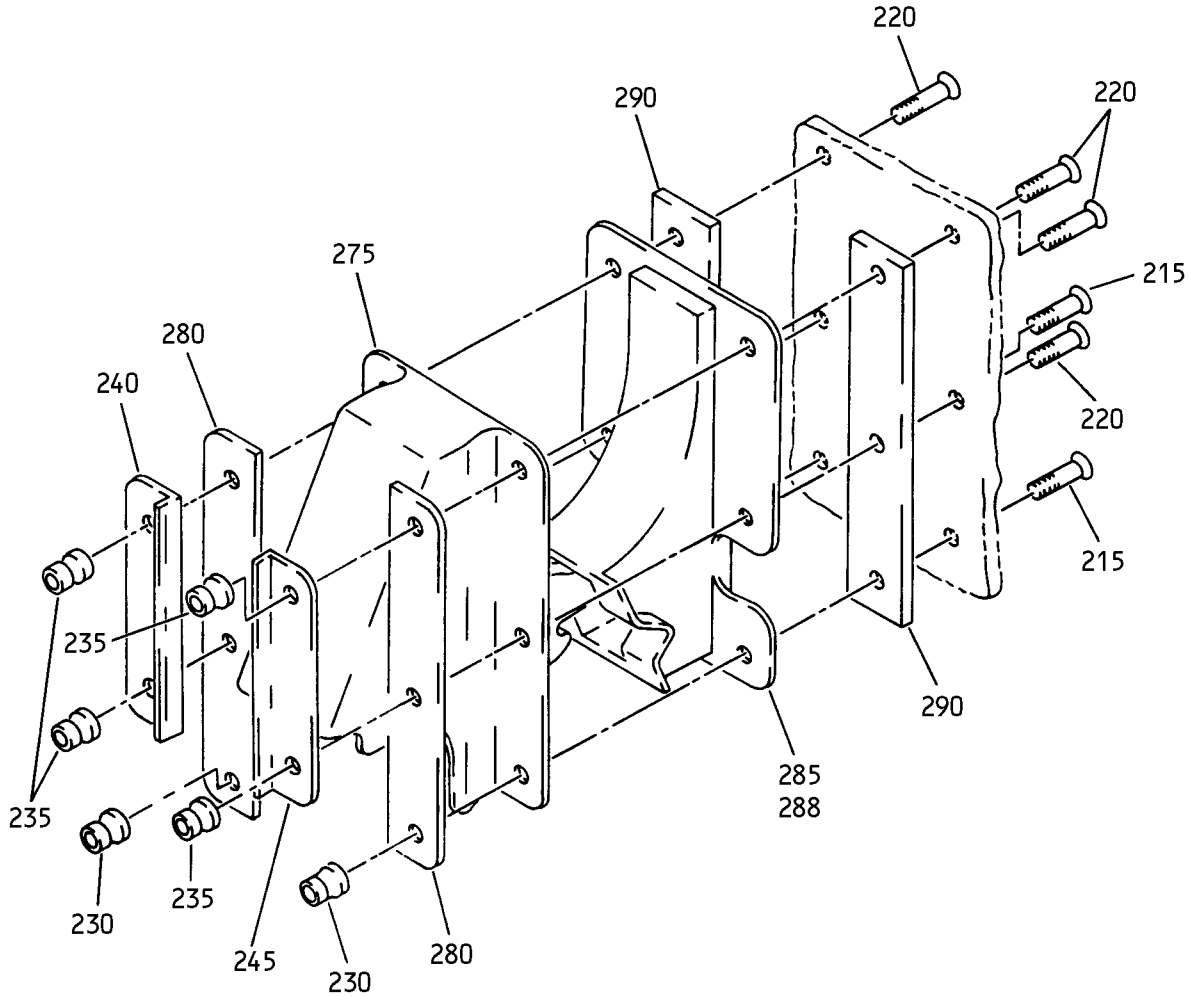
ILLUSTRATED PARTS LIST
 01 Page 1059
 Mar 01/04



Outboard Door Assembly, No. 1 and 2 Strut Access
 Figure 3 (Sheet 4)

54-53-03

ILLUSTRATED PARTS LIST
 01 Page 1060
 Mar 01/04

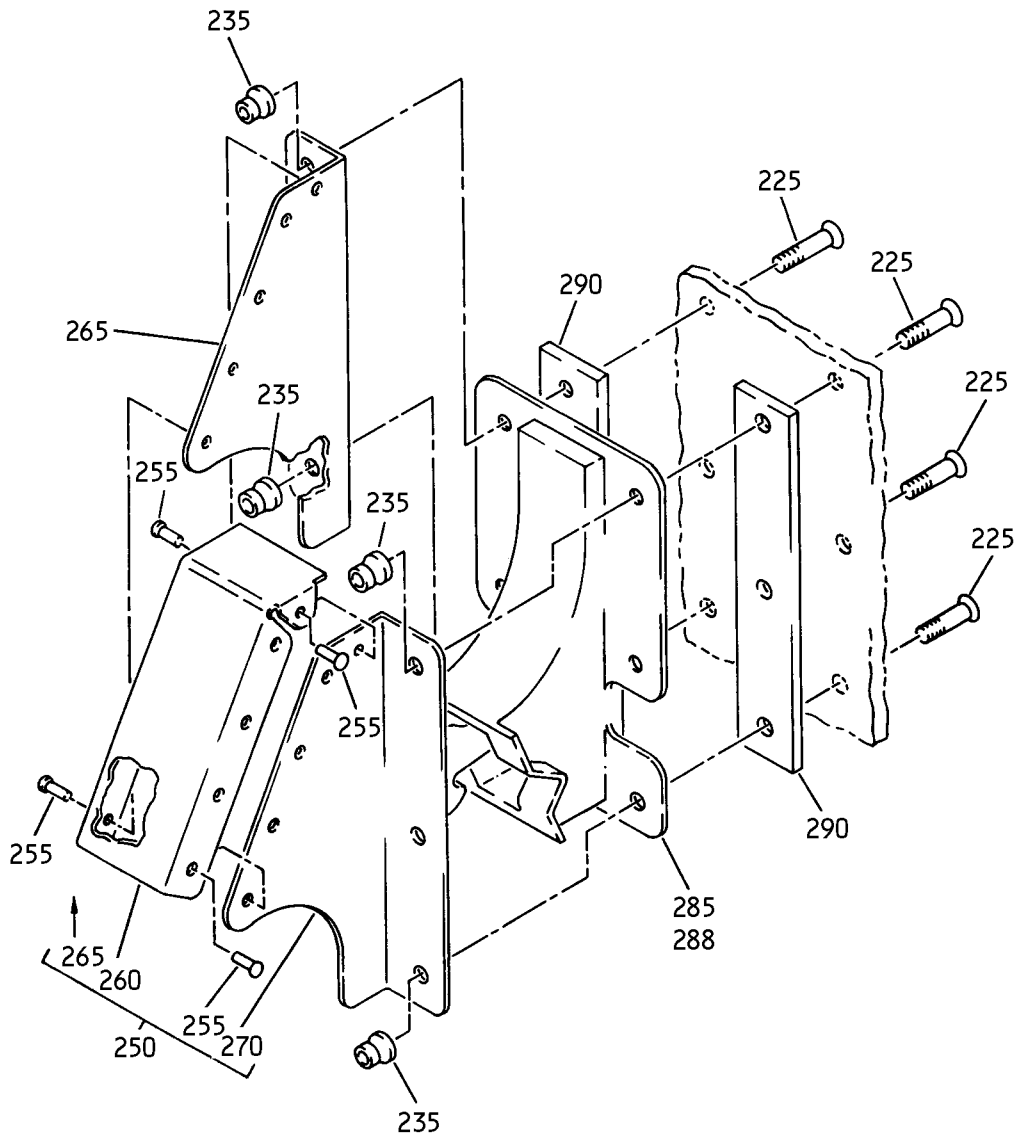


F

Outboard Door Assembly, No. 1 and 2 Strut Access
Figure 3 (Sheet 5)

54-53-03

ILLUSTRATED PARTS LIST
01 Page 1061
Mar 01/04



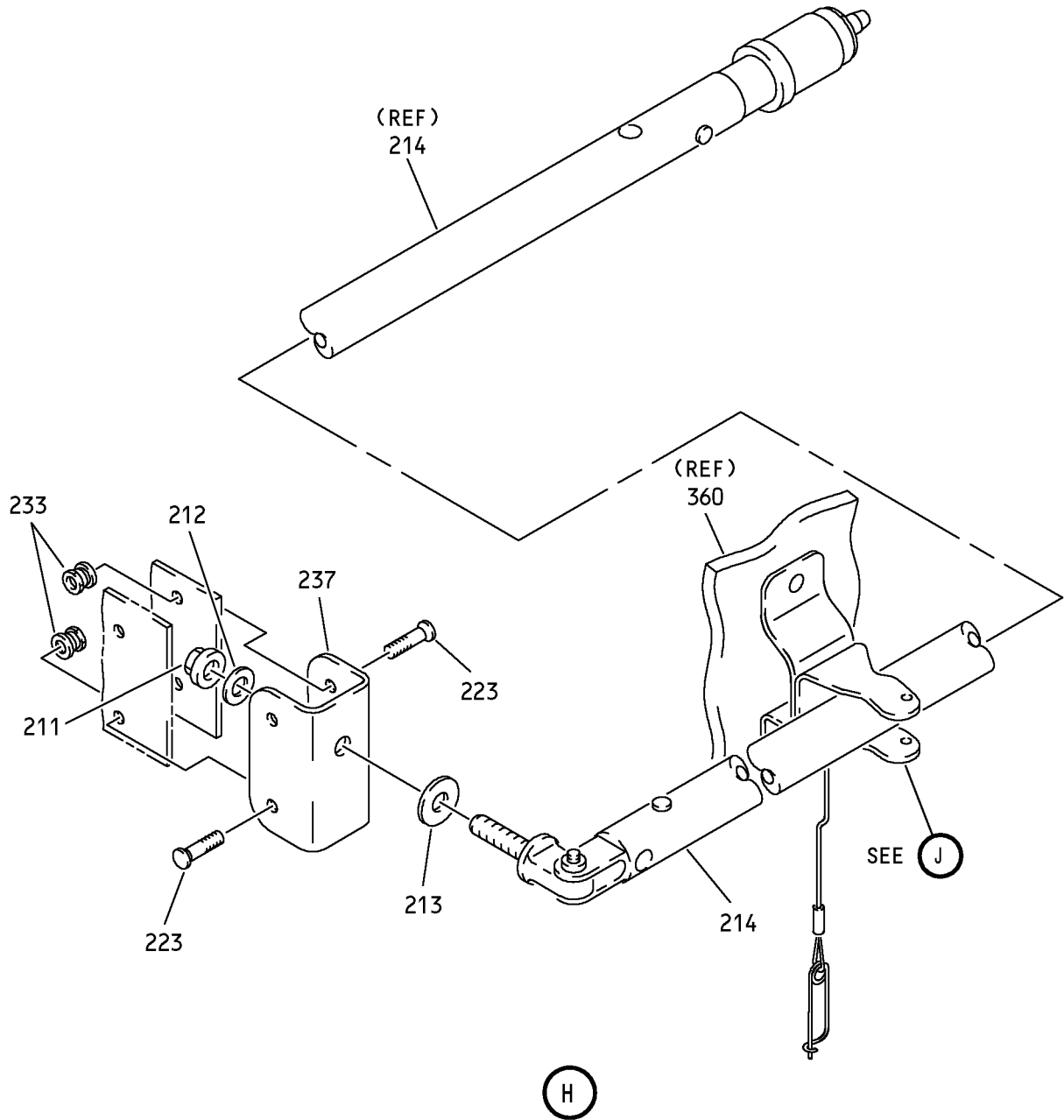
G

Outboard Door Assembly, No. 1 and 2 Strut Access
Figure 3 (Sheet 6)

54-53-03

ILLUSTRATED PARTS LIST
01 Page 1062
Mar 01/04

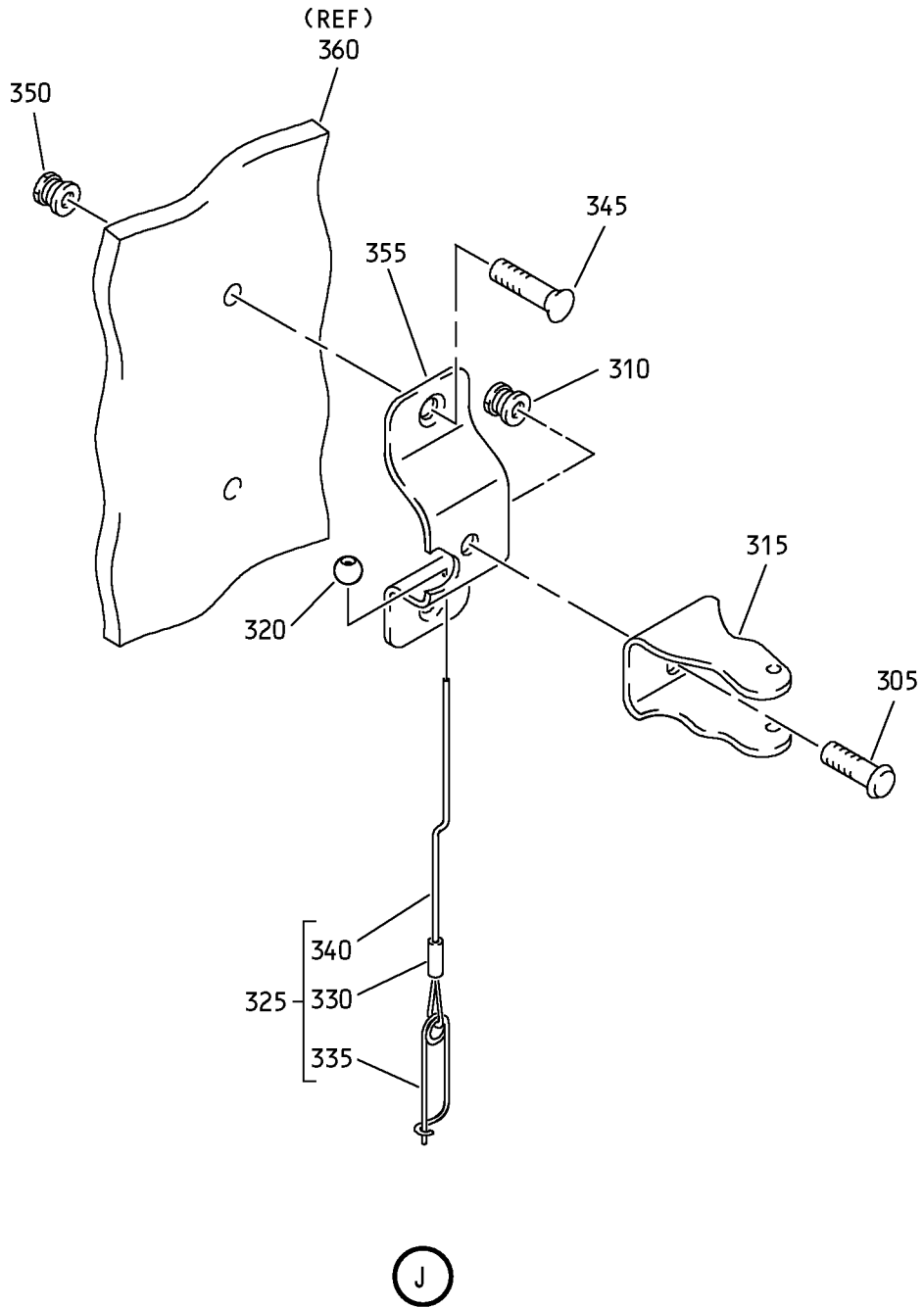
N34889



Outboard Door Assembly, No. 1 and 2 Strut Access
Figure 3 (Sheet 7)

54-53-03

ILLUSTRATED PARTS LIST
01 Page 1063
Mar 01/04



Outboard Door Assembly, No. 1 and 2 Strut Access
Figure 3 (Sheet 8)

54-53-03

ILLUSTRATED PARTS LIST
01 Page 1064
Mar 01/04


BOEING
 COMPONENT
 MAINTENANCE MANUAL

FIG. & ITEM	PART NO.	AIRLINE PART NUMBER	NOMENCLATURE 1234567	EFF CODE	QTY PER ASSY
03- -1A	313T5340-15		DOOR ASSY-OUTBD NO. 1 STRUT ACCESS	E	RF
-1B	313T5340-23		DOOR ASSY-OUTBD NO. 1 STRUT ACCESS	J	RF
-5	313T5340-16		DOOR ASSY-OUTBD NO. 2 STRUT ACCESS	F	RF
-5A	313T5340-24		DOOR ASSY-OUTBD NO. 2 STRUT ACCESS	K	RF
10	313T5335-1		.HINGE ASSY	E,J	1
-15	313T5335-2		.HINGE ASSY	F,K	1
20	HL441UC8-20		ATTACHING PARTS .BOLT- (V97928) (SPEC BACB30FN8A20) (OPT HL441UC8-20 (V73197)) (OPT HL441UC8-20 (V56878)) (OPT HL441UC8-20 (V73197)) (OPT HL441UC8-20 (V92215)) (OPT HL441UC8-20 (V08524)) (OPT HL41PY8-20 (V80539)) (OPT HL441N8-20 (V80539)) (OPT 67068-8A20 (V56878)) (OPT 67068-8A20 (V56878)) (OPT L839-8A20 (V06725))	E,F,J K	1

54-53-03

ILLUSTRATED PARTS LIST

01

Page 1065

Mar 01/04

FIG. & ITEM	PART NO.	AIRLINE PART NUMBER	NOMENCLATURE 1234567	EFF CODE	QTY PER ASSY
03-25	HL13VAZ8-17		.BOLT- (V56878) (SPEC BACB30NY8K17) (OPT HL13VAZ8-17 (V73197)) (OPT HL13VAZ8-17 (V92215)) (OPT HL13VAZ8-17 (V97928)) (OPT L801-8K17 (V06725)) (OPT HL13VAZ8-17 (V08524)) (OPT HL13V17 (V06725)) (OPT HL13VAZ8-17 (V17446))	E, F, J , K	5
30	NAS1149E0463P		.WASHER	E, F, J , K	2
35	BACS40R031C050F		.SHIM	E, F, J , K	1
40	H52732-4CD		.NUT- (V15653) (SPEC BACN10YR4CD) (OPT PLH54CD (V62554))	E, F, J , K	1
45	HL79-8		.COLLAR- (V5M902) (SPEC BACC30M8) (OPT HL79-8 (V73197)) (OPT HL79-8 (V92215)) (OPT 66014-8 (V56878)) (OPT HL79-8 (V56878)) -----*	E, F, J , K	5

54-53-03

ILLUSTRATED PARTS LIST

01

Page 1066

Mar 01/04


BOEING
 COMPONENT
 MAINTENANCE MANUAL

FIG. & ITEM	PART NO.	AIRLINE PART NUMBER	NOMENCLATURE 1234567	EFF CODE	QTY PER ASSY
03-50	P20650		..BEARING ASSY- (V57606) (SPEC S302T001-206) (OPT VTBO4450 (V06710))	E,F,J ,K	1
55	313T5335-3		..HINGE	E,J	1
-60	313T5335-4		..HINGE	F,K	1
65	313T5331-5		.HINGE ASSY	E,J	1
-70	313T5331-6		.HINGE ASSY	F,K	1
75	HL13VAZ8-19		ATTACHING PARTS .BOLT- (V56878) (SPEC BACB30NY8K19) (OPT HL13VAZ8-19 (V73197)) (OPT HL13VAZ8-19 (V92215)) (OPT HL13VAZ8-19 (V97928)) (OPT L801-8K19 (V06725)) (OPT HL13VAZ8-19 (V08524)) (OPT HL13V19 (V06725)) (OPT HL13VAZ8-19 (V17446))	E,F,J ,K	6
80	BACF3H14XM050BN		.FILLER	E,F,J ,K	2
85	BACS4OR031C050F		.SHIM	E,F,J ,K	1
90	HL79-8		.COLLAR- (V5M902) (SPEC BACC30M8) (OPT HL79-8 (V73197)) (OPT HL79-8 (V92215)) (OPT 66014-8 (V56878)) (OPT HL79-8 (V56878)) -----*	E,F,J ,K	6

54-53-03

ILLUSTRATED PARTS LIST

01

Page 1067

Mar 01/04

FIG. & ITEM	PART NO.	AIRLINE PART NUMBER	NOMENCLATURE 1234567	EFF CODE	QTY PER ASSY
03-95	P20650		..BEARING ASSY- (V57606) (SPEC S302T001-206) (OPT VTBO4450 (V06710))	E,F,J ,K	1
100	313T5331-7		..HINGE	E,J	1
-105	313T5331-8		..HINGE	F,K	1
110	313T5330-5		.HINGE ASSY	E,F,J ,K	1
115	HL441UC8-20		ATTACHING PARTS .BOLT- (V97928) (SPEC BACB30FN8A20) (OPT HL441UC8-20 (V73197)) (OPT HL441UC8-20 (V56878)) (OPT HL441UC8-20 (V73197)) (OPT HL441UC8-20 (V92215)) (OPT HL441UC8-20 (V08524)) (OPT HL41PY8-20 (V80539)) (OPT HL441N8-20 (V80539)) (OPT 67068-8A20 (V56878)) (OPT 67068-8A20 (V56878)) (OPT L839-8A20 (V06725))	E,F,J ,K	1

54-53-03

 ILLUSTRATED PARTS LIST
 01 Page 1068
 Mar 01/04


BOEING
 COMPONENT
 MAINTENANCE MANUAL

FIG. & ITEM	PART NO.	AIRLINE PART NUMBER	NOMENCLATURE 1234567	EFF CODE	QTY PER ASSY
03-120	HL13VAZ8-17		.BOLT- (V56878) (SPEC BACB30NY8K17) (OPT HL13VAZ8-17 (V73197)) (OPT HL13VAZ8-17 (V92215)) (OPT HL13VAZ8-17 (V97928)) (OPT L801-8K17 (V06725)) (OPT HL13VAZ8-17 (V08524)) (OPT HL13V17 (V06725)) (OPT HL13VAZ8-17 (V17446))	E, F, J , K	5
125	NAS1149E0463P		.WASHER	E, F, J , K	2
130	BACS40R031C050F		.SHIM	E, F, J , K	1
135	H52732-4CD		.NUT- (V15653) (SPEC BACN10YR4CD) (OPT PLH54CD (V62554))	E, F, J , K	1
140	HL79-8		.COLLAR- (V5M902) (SPEC BACC30M8) (OPT HL79-8 (V73197)) (OPT HL79-8 (V92215)) (OPT 66014-8 (V56878)) (OPT HL79-8 (V56878)) -----*	E, F, J , K	5

54-53-03

ILLUSTRATED PARTS LIST

01

Page 1069

Mar 01/04

FIG. & ITEM	PART NO.	AIRLINE PART NUMBER	NOMENCLATURE 1234567	EFF CODE	QTY PER ASSY
03-145	P20650		..BEARING ASSY- (V57606) (SPEC S302T001-206) (OPT VTBO4450 (V06710))	E,F,J ,K	1
150	313T5330-6		..HINGE	E,F,J ,K	1
155	HL13VAZ8-14		.BOLT- (V56878) (SPEC BACB30NY8K14) (OPT HL13VAZ8-14 (V73197)) (OPT HL13VAZ8-14 (V92215)) (OPT HL13VAZ8-14 (V97928)) (OPT L801-8K14 (V06725)) (OPT HL13VAZ8-14 (V08524)) (OPT HL13V14 (V06725)) (OPT HL13VAZ8-14 (V17446))	E,F,J ,K	12
160	HL79-8		.COLLAR- (V5M902) (SPEC BACC30M8) (OPT HL79-8 (V73197)) (OPT HL79-8 (V92215)) (OPT 66014-8 (V56878)) (OPT HL79-8 (V56878))	E,F,J ,K	12
165	313T3335-1		.PLATE-HINGE	E,F,J ,K	1
170	BACS40R007D020F		.SHIM	E,J	2
-175	BACS40R007C020F		.SHIM	F,K	2
180	313T5337-5		.HINGE ASSY	E,J	1

54-53-03

 ILLUSTRATED PARTS LIST
 01 Page 1070
 Mar 01/04


BOEING
 COMPONENT
 MAINTENANCE MANUAL

FIG. & ITEM	PART NO.	AIRLINE PART NUMBER	NOMENCLATURE 1234567	EFF CODE	QTY PER ASSY
03-					
-185	313T5337-2		.HINGE ASSY	F,K	1
190	P20650		..BEARING ASSY- (V57606) (SPEC S302T001-206) (OPT VTBO4450 (V06710))	E,F,J ,K	1
195	313T5337-6		..HINGE	E,J	1
-200	313T5337-4		..HINGE	F,K	1
205	BACS40R012C023F		.SHIM	E,J	2
-210	BACS40R012C021F		.SHIM	F,K	2
211	H52732-4CM		.NUT- (V15653) (SPEC BACN10YR4CM) (OPT PLH54CM (V62554))	J,K	1
212	BACW10BP5DP		.WASHER	J,K	1
213	3502-18-04-4102		.WASHER- (V78189)	J,K	1
214	313T3350-21		.ROD ASSY-HOLD OPEN (FOR DETAILS SEE FIG. 5)	J,K	1
215	HL13VAZ8-4		.BOLT- (V56878) (SPEC BACB30NY8K4) (OPT HL13VAZ8-4 (V73197)) (OPT HL13VAZ8-4 (V92215)) (OPT HL13VAZ8-4 (V97928)) (OPT L801-8K4 (V06725)) (OPT HL13VAZ8-4 (V08524)) (OPT HL13V4 (V06725)) (OPT HL13VAZ8-4 (V17446))	E,F,J ,K	8

54-53-03

ILLUSTRATED PARTS LIST

01

Page 1071

Mar 01/04

FIG. & ITEM	PART NO.	AIRLINE PART NUMBER	NOMENCLATURE 1234567	EFF CODE	QTY PER ASSY
03-220	HL13VAZ8-5		.BOLT- (V56878) (SPEC BACB30NY8K5) (OPT HL13VAZ8-5 (V73197)) (OPT HL13VAZ8-5 (V92215)) (OPT HL13VAZ8-5 (V97928)) (OPT L801-8K5 (V06725)) (OPT HL13VAZ8-5 (V08524)) (OPT HL13V5 (V06725)) (OPT HL13VAZ8-5 (V17446))	E,F,J ,K	4
223	HL10VAZ6-3		.BOLT- (V60516) (SPEC BACB30MY6K3) (OPT B30MY6K3 (V97928))	J,K	4

54-53-03

 ILLUSTRATED PARTS LIST
 01 Page 1072
 Mar 01/04


BOEING
 COMPONENT
 MAINTENANCE MANUAL

FIG. & ITEM	PART NO.	AIRLINE PART NUMBER	NOMENCLATURE 1234567	EFF CODE	QTY PER ASSY
03-225	HL13VAZ8-5		.BOLT- (V56878) (SPEC BACB30NY8K5) (OPT HL13VAZ8-5 (V73197)) (OPT HL13VAZ8-5 (V92215)) (OPT HL13VAZ8-5 (V97928)) (OPT L801-8K5 (V06725)) (OPT HL13VAZ8-5 (V08524)) (OPT HL13V5 (V06725)) (OPT HL13VAZ8-5 (V17446)) (USED WITH ITEM 250)	E,F,J ,K	12
-225A	HL13VAZ8-7		.BOLT- (V56878) (SPEC BACB30NY8K7) (OPT HL13VAZ8-7 (V73197)) (OPT HL13VAZ8-7 (V92215)) (OPT HL13VAZ8-7 (V97928)) (OPT L801-8K7 (V06725)) (OPT HL13VAZ8-7 (V08524)) (OPT HL13V7 (V06725)) (OPT HL13VAZ8-7 (V17446)) (USED WITH ITEM 275)	E,F,J ,K	12

54-53-03

ILLUSTRATED PARTS LIST

01

Page 1073

Mar 01/04

FIG. & ITEM	PART NO.	AIRLINE PART NUMBER	NOMENCLATURE 1234567	EFF CODE	QTY PER ASSY
03-230	HL97DU8		.COLLAR- (V73197) (SPEC BACC30AB8S) (OPT HL97DU8 (V92215)) (OPT HL97DU8 (V56878))	E,F,J ,K	8
233	HL79-6		.COLLAR- (V5M902) (SPEC BACC30M6) (OPT HL79-6 (V73197)) (OPT HL79-6 (V92215)) (OPT 66014-6 (V56878)) (OPT HL79-6 (V56878))	J,K	4
235	HL79-8		.COLLAR- (V5M902) (SPEC BACC30M8) (OPT HL79-8 (V73197)) (OPT HL79-8 (V92215)) (OPT 66014-8 (V56878)) (OPT HL79-8 (V56878))	E,F,J ,K	16
237	313T5349-7		.CHANNEL	J,K	1
240	313T5340-10		.CLIP	E,F,J ,K	1
245	313T5340-9		.CLIP	E,F,J ,K	1
250	313T5342-1		.COVER ASSY-LATCH (OPT ITEM 275)	E,F,J ,K	2
255	BACR15BB5AD		..RIVET- (SIZE DETERMINE ON INST)	E,F,J ,K	10
260	313T5342-5		..BRACKET	E,F,J ,K	1

54-53-03

 ILLUSTRATED PARTS LIST
 01 Page 1074
 Mar 01/04


BOEING
 COMPONENT
 MAINTENANCE MANUAL

FIG. & ITEM	PART NO.	AIRLINE PART NUMBER	NOMENCLATURE 1234567	EFF CODE	QTY PER ASSY
03-265	313T5342-3		..BRACKET	E,F,J K	1
270	313T5342-4		..BRACKET	E,F,J K	1
275	313T5342-7		.COVER-LATCH (OPT ITEM 250)	E,F,J K	2
280	BACF3H08RP056HN		.FILLER- (USED WITH ITEM 275)	E,F,J K	4
285	9781		.LATCH ASSY- (V84256) (SPEC S313T501-1) (OPT ITEM 285A)	E,F	4
-285A	9781-2		.LATCH ASSY- (V84256) (SPEC S313T501-2) (OPT ITEM 285)	E,F	4
R -286	313T5340-31		.KIT ASSY-SUB (OPT ITEM 286A)	J	1
-286A	313T5340-32		.KIT ASSY-SUB (OPT ITEM 286)	J	1
-287	313T5340-33		.KIT ASSY-SUB (OPT ITEM 287A)	K	1
-287A	313T5340-34		.KIT ASSY-SUB (OPT ITEM 287)	K	1
288	9781		..LATCH ASSY- (V84256) (SPEC S313T501-1) (USED ON ITEMS 286, 287)	J,K	4
-288A	9781-2		..LATCH ASSY- (V84256) (SPEC S313T501-2) (USED ON ITEMS 286A, 287A)	J,K	4
290	BACS40R009W054		.SHIM	E,F,J K	8
295	313T5341-33		DELETED		
-300	313T5341-34		DELETED		

54-53-03

 ILLUSTRATED PARTS LIST
 01 Page 1075
 Mar 01/04

FIG. & ITEM	PART NO.	AIRLINE PART NUMBER	NOMENCLATURE 1234567	EFF CODE	QTY PER ASSY
03-305	HL1012AZ6-3		.BOLT- (V97928) (SPEC BACB30NX6K3) (OPT HL12VAZ6-3 (V73197)) (OPT HL12VAZ6-3 (V92215)) (OPT HL12VAZ6-3 (V97928)) (OPT L802-6K3 (V06725)) (OPT HL12VAZ6-3 (V56878)) (OPT HL1012AZ6-3 (V0PTK6)) (OPT HL1012AZ6-3 (V06725)) (OPT HL1012AZ6-3 (V06950)) (OPT HL1012AZ6-3 (V17446)) (OPT HL1012AZ6-3 (V56878)) (OPT HL1012AZ6-3 (V60516)) (OPT HL1012AZ6-3 (V73197))	J,K	1
310	HL79-6		.COLLAR- (V5M902) (SPEC BACC30M6) (OPT HL79-6 (V73197)) (OPT HL79-6 (V92215)) (OPT 66014-6 (V56878)) (OPT HL79-6 (V56878))	J,K	1
315	66-8350		.CLIP-SPR	J,K	1

54-53-03

 ILLUSTRATED PARTS LIST
 01 Page 1076
 Mar 01/04


BOEING
 COMPONENT
 MAINTENANCE MANUAL

FIG. & ITEM	PART NO.	AIRLINE PART NUMBER	NOMENCLATURE 1234567	EFF CODE	QTY PER ASSY
03-320	BA3-2		. TERMINAL- (V65196) (SPEC BACT14B2) (OPT HT200-2 (V83014)) (OPT RA2487-2 (V80523)) (OPT HI2487-2 (V26590)) (OPT 8-04056-2 (V11328)) (OPT BM2487-2 (V22277))	J,K	1
325	313T3349-23		. CABLE ASSY (OPT ITEM 325A)	J,K	1
-325A	313T3349-6		. CABLE ASSY- (OPT ITEM 325)	J,K	1
330	CL4F		.. FERRULE- (V99862) (SPEC BACF22U2) (OPT 325167 (V00779))	J,K	1
335	21471		.. PIN- (V00724)	J,K	1
340	313T3349-4		.. CABLE	J,K	1
345	HL11VAZ6-12		. BOLT- (V60516) (SPEC BACB30NW6K12) (OPT B30NW6K12 (V97928)) (OPT HL11VAZ6-12 (V73197)) (OPT HL11VAZ6-12 (V92215)) (OPT HL11VAZ6-12 (V97928)) (OPT L803-6K12 (V06725)) (OPT HL11VAZ6-12 (V0PTK6)) (OPT HL11VAZ6-12 (V56878))	J,K	2

54-53-03

ILLUSTRATED PARTS LIST

01

Page 1077

Mar 01/04

FIG. & ITEM	PART NO.	AIRLINE PART NUMBER	NOMENCLATURE	EFF CODE	QTY PER ASSY
			1234567		
03-350	HL79-6		.COLLAR- (V5M902) (SPEC BACC30M6) (OPT HL79-6 (V73197)) (OPT HL79-6 (V92215)) (OPT 66014-6 (V56878)) (OPT HL79-6 (V56878))	J,K	2
355	313T3351-7		.CLIP	J,K	1
360	313T5341-33		.PANEL ASSY-DOOR	E,J	1
-365	313T5341-34		.PANEL ASSY-DOOR	F,K	1

- Item Not Illustrated

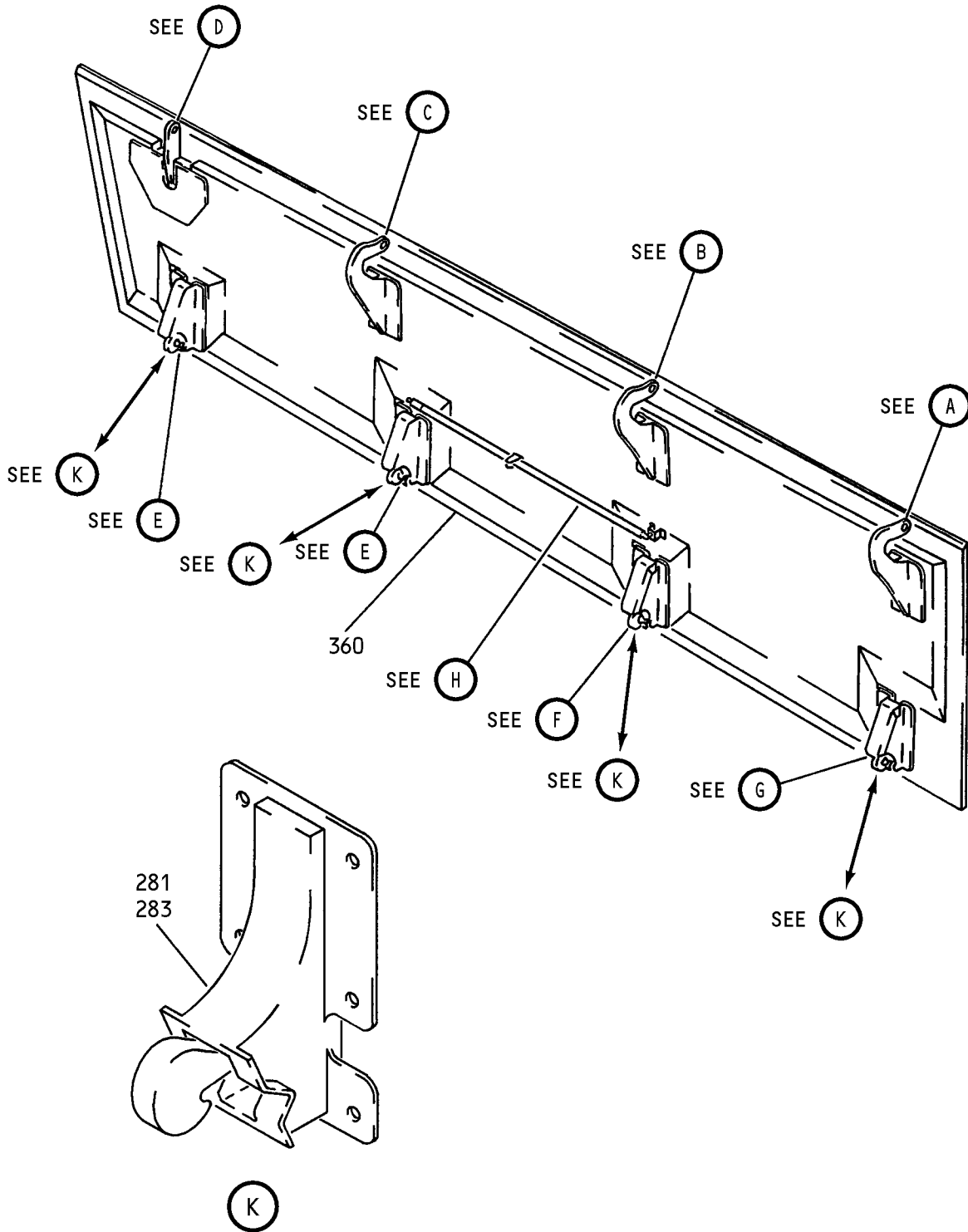
54-53-03

ILLUSTRATED PARTS LIST

01

Page 1078

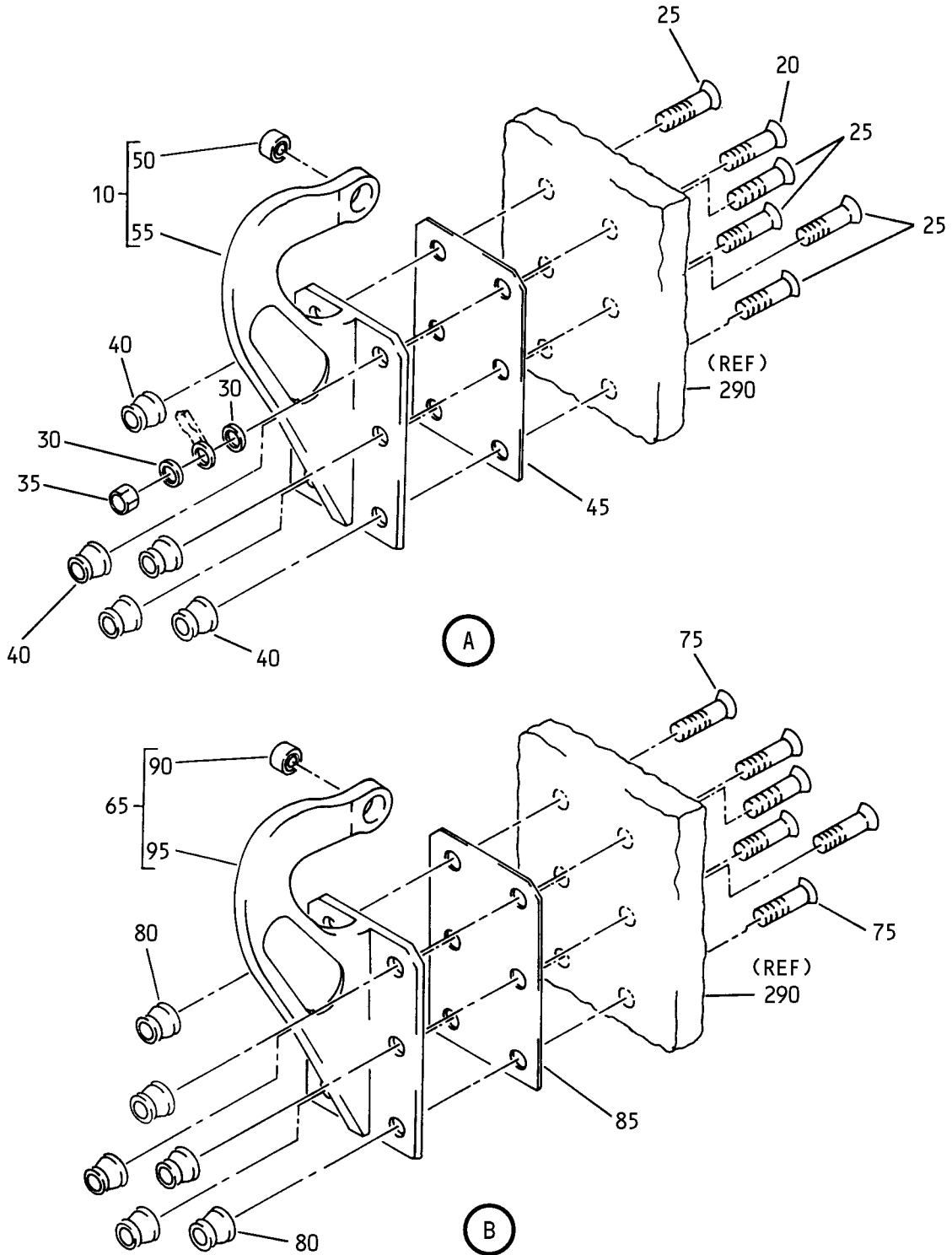
Mar 01/04



Inboard Door Assembly, No. 1 and 2 Strut Access
 Figure 4 (Sheet 1)

54-53-03

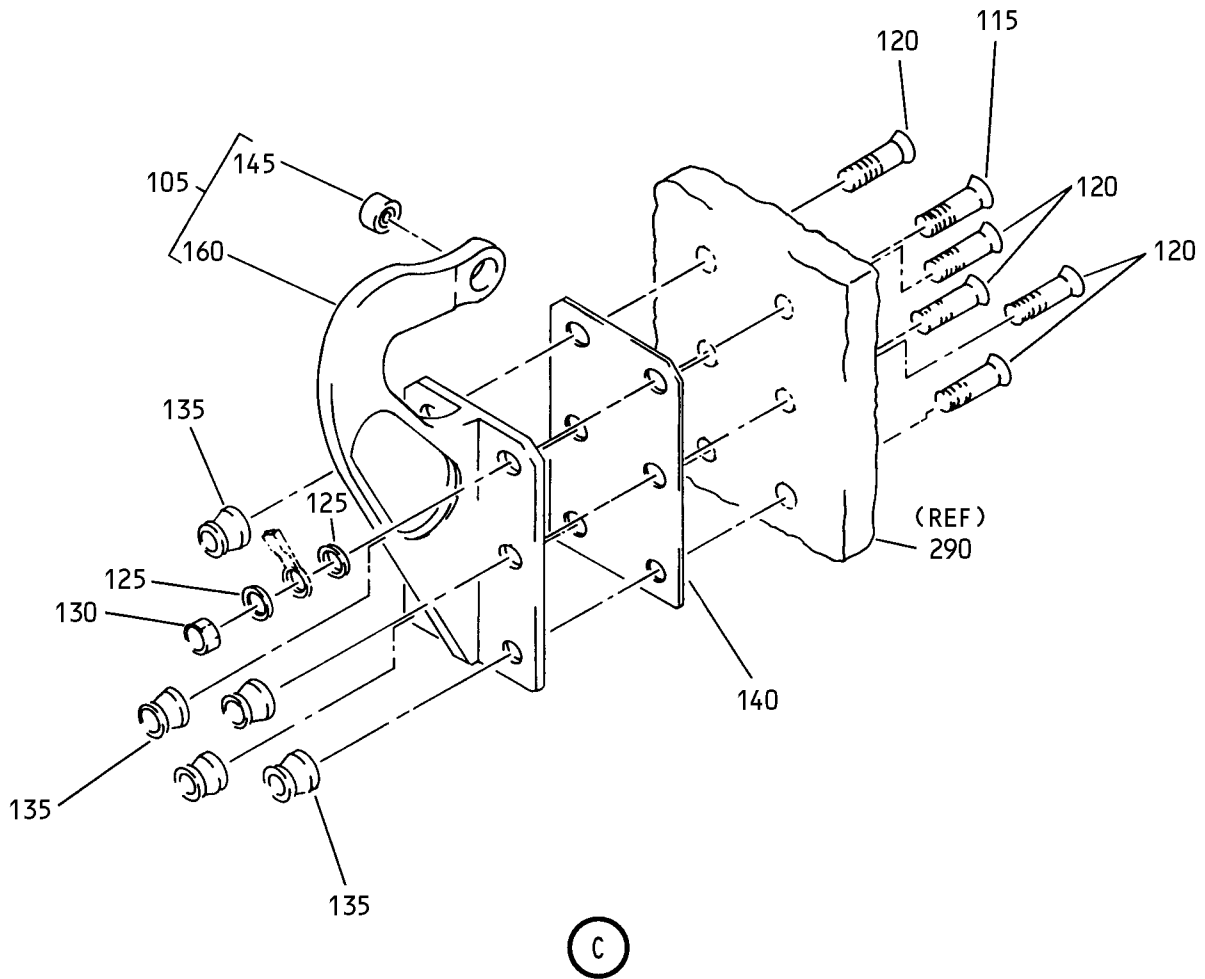
ILLUSTRATED PARTS LIST
 01 Page 1080
 Mar 01/04



Inboard Door Assembly, No. 1 and 2 Strut Access
Figure 4 (Sheet 2)

54-53-03

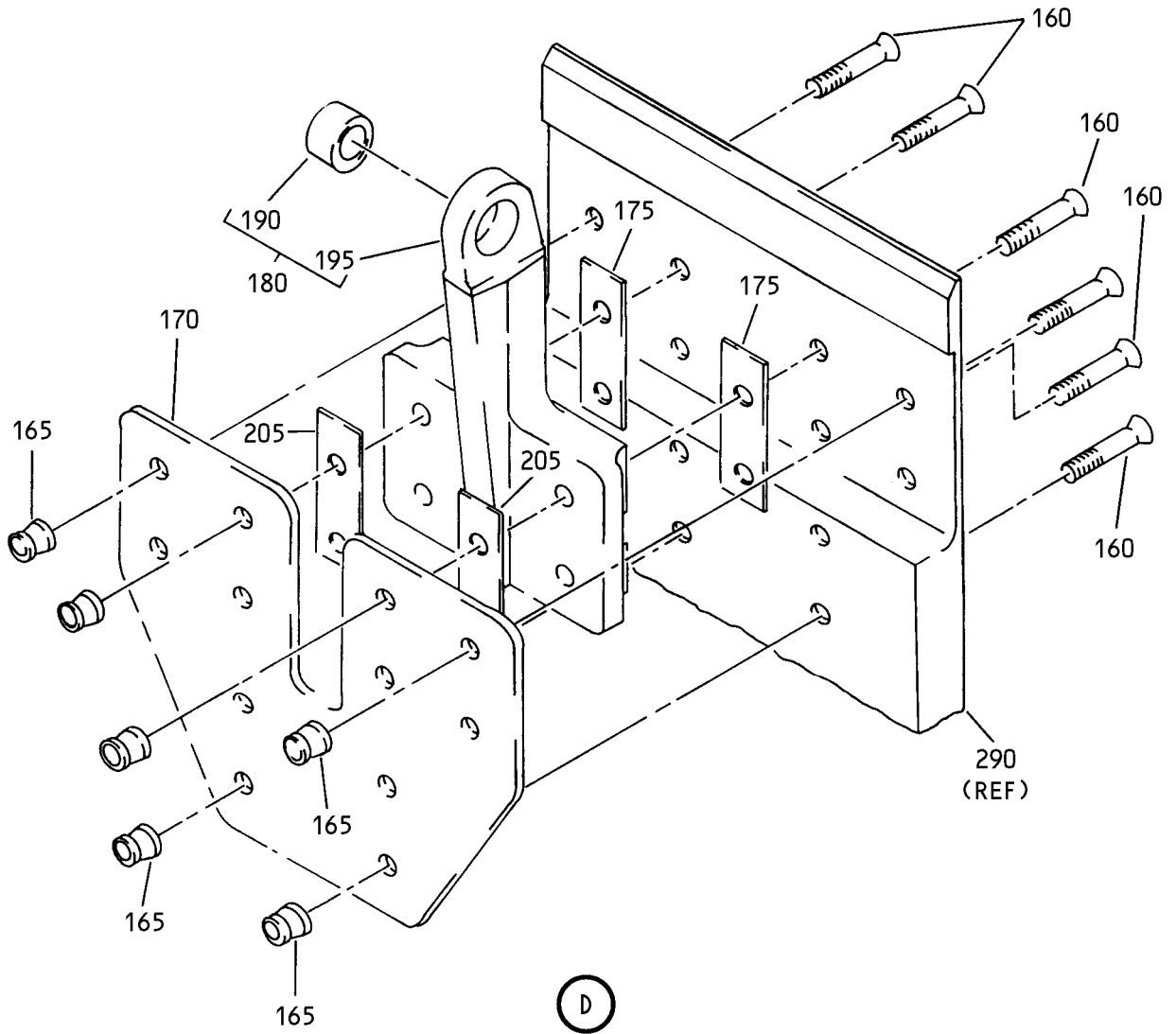
ILLUSTRATED PARTS LIST
01 Page 1080A
Mar 01/04



Inboard Door Assembly, No. 1 and 2 Strut Access
Figure 4 (Sheet 3)

54-53-03

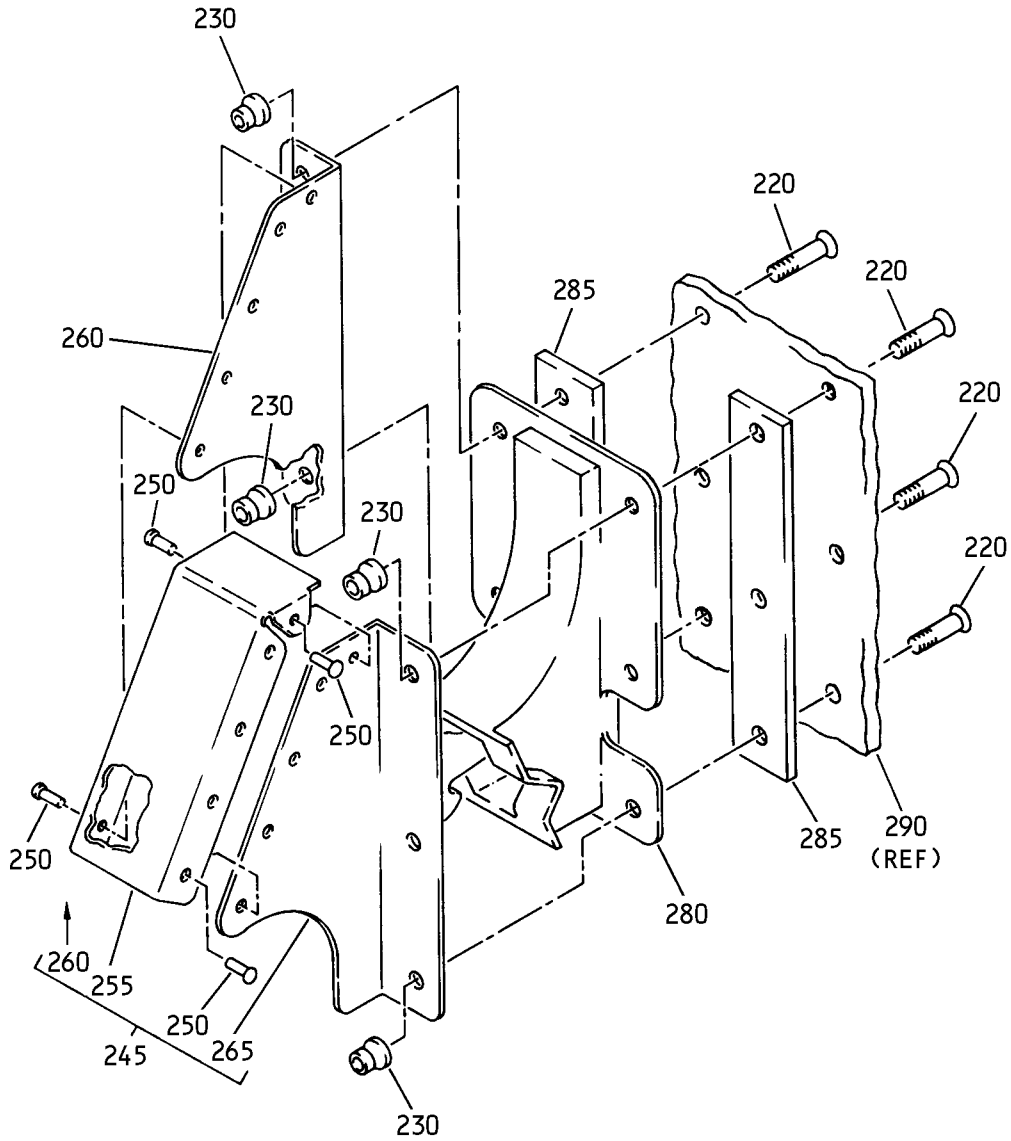
ILLUSTRATED PARTS LIST
01 Page 1080B
Mar 01/04



Inboard Door Assembly, No. 1 and 2 Strut Access
Figure 4 (Sheet 4)

54-53-03

ILLUSTRATED PARTS LIST
01 Page 1080C
Mar 01/04

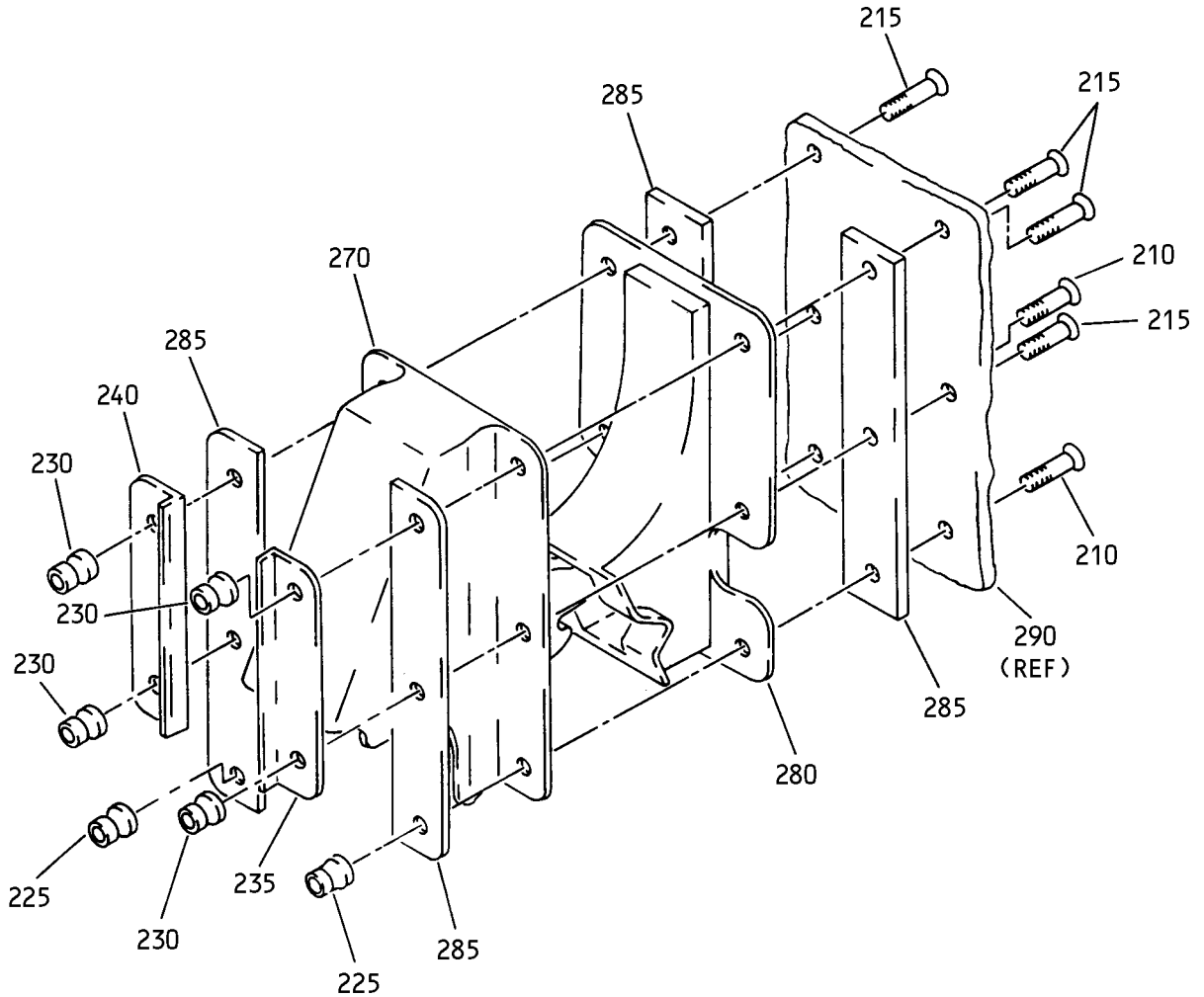


E

Inboard Door Assembly, No. 1 and 2 Strut Access
Figure 4 (Sheet 5)

54-53-03

ILLUSTRATED PARTS LIST
01 Page 1080D
Mar 01/04

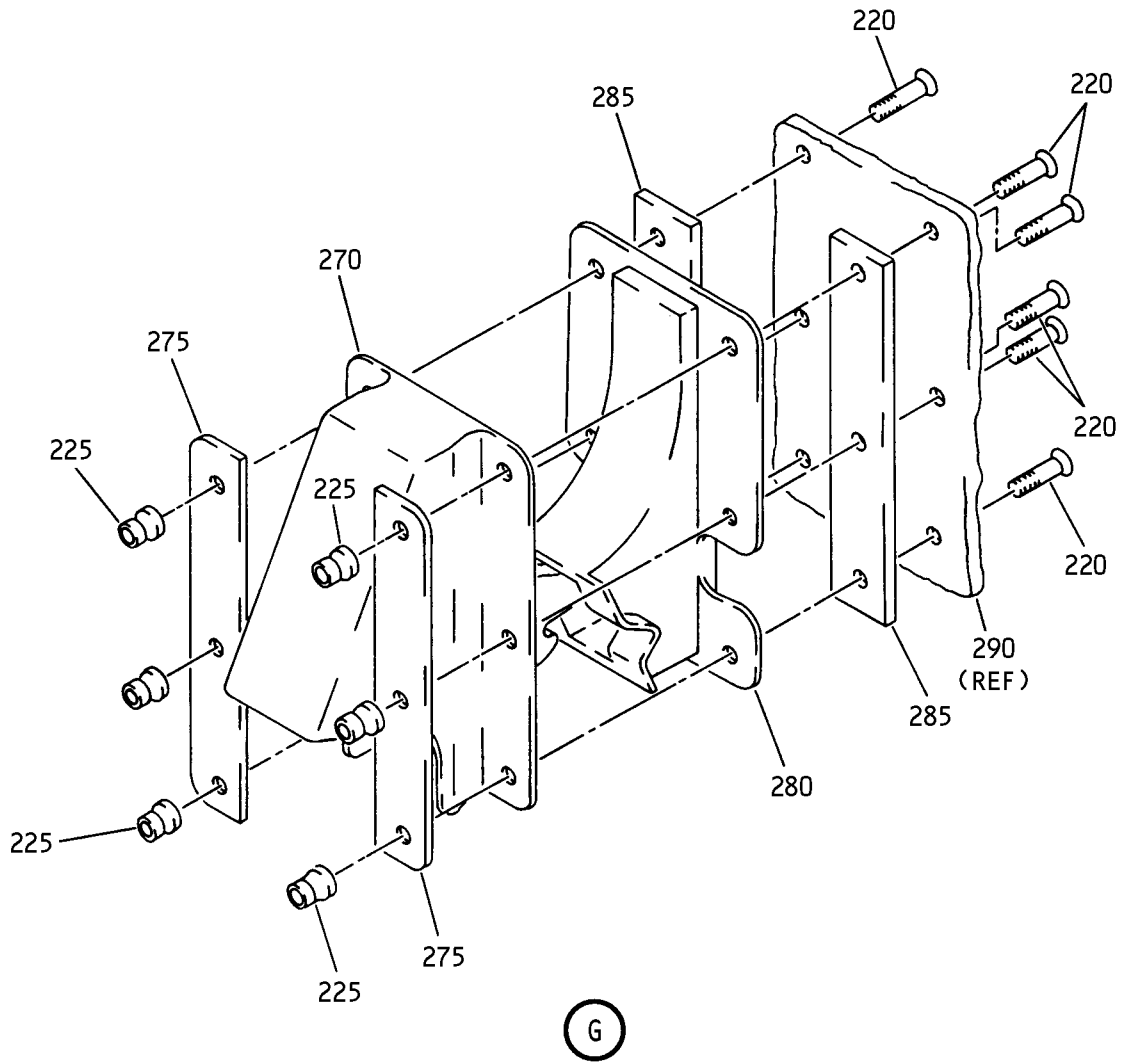


F

Inboard Door Assembly, No. 1 and 2 Strut Access
Figure 4 (Sheet 6)

54-53-03

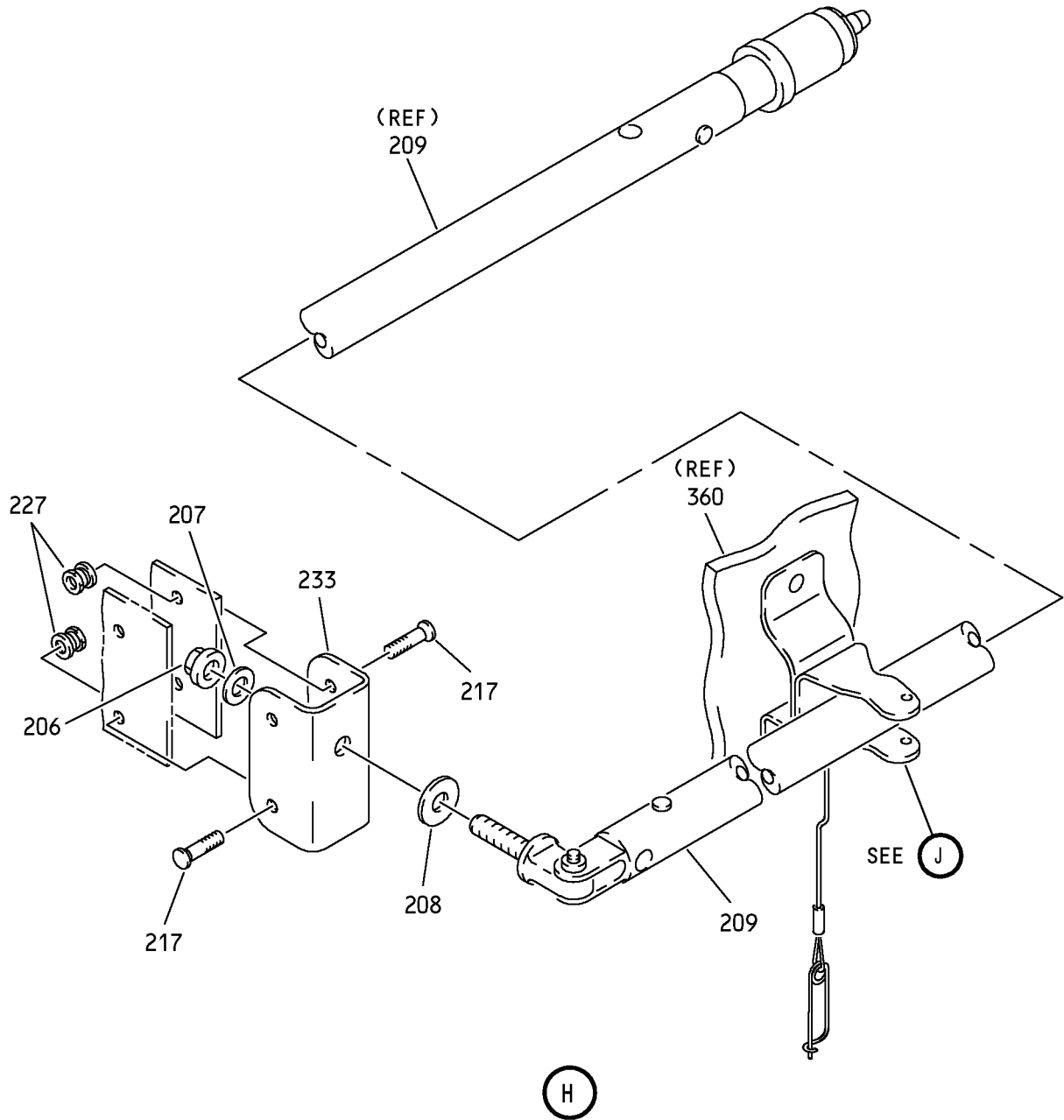
ILLUSTRATED PARTS LIST
01 Page 1080E
Mar 01/04



Inboard Door Assembly, No. 1 and 2 Strut Access
Figure 4 (Sheet 7)

54-53-03

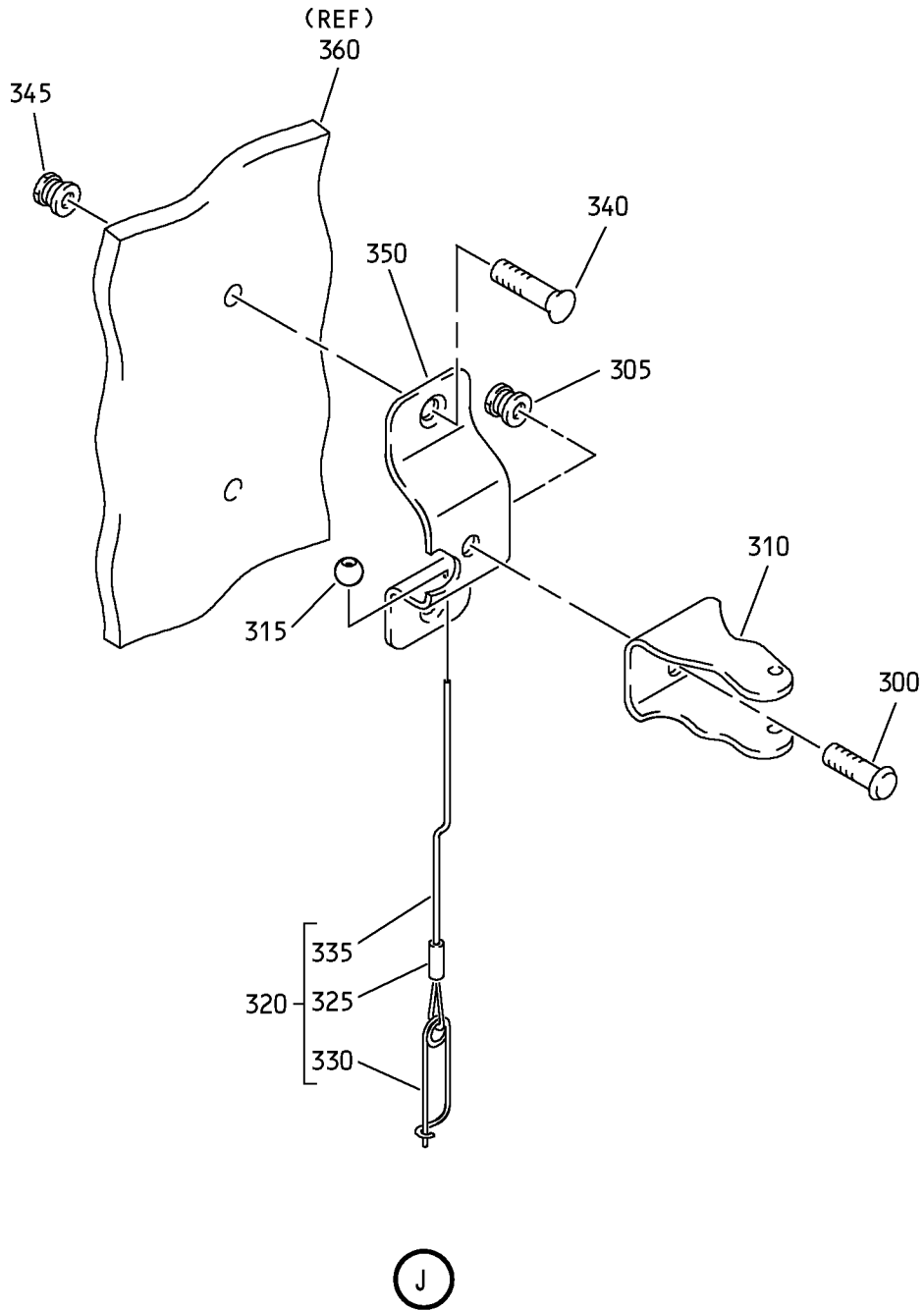
ILLUSTRATED PARTS LIST
01 Page 1080F
Mar 01/04



Outboard Door Assembly, No. 1 and 2 Strut Access
Figure 4 (Sheet 8)

54-53-03

ILLUSTRATED PARTS LIST
01 Page 1080G
Mar 01/04



Outboard Door Assembly, No. 1 and 2 Strut Access
Figure 4 (Sheet 9)

54-53-03

ILLUSTRATED PARTS LIST
01 Page 1080H
Mar 01/04


BOEING
 COMPONENT
 MAINTENANCE MANUAL

FIG. & ITEM	PART NO.	AIRLINE PART NUMBER	NOMENCLATURE 1234567	EFF CODE	QTY PER ASSY
04- -1A	313T5340-17		DOOR ASSY-INBD NO. 1 STRUT ACCESS	G	RF
-1B	313T5340-25		DOOR ASSY-INBD NO. 1 STRUT ACCESS	L	RF
-5	313T5340-18		DOOR ASSY-INBD NO. 2 STRUT ACCESS	H	RF
-5A	313T5340-26		DOOR ASSY-INBD NO. 2 STRUT ACCESS	M	RF
10	313T5334-1		.HINGE ASSY	G,L	1
-15	313T5334-2		.HINGE ASSY	H,M	1
20	HL441UC8-20		ATTACHING PARTS .BOLT- (V97928) (SPEC BACB30FN8A20) (OPT HL441UC8-20 (V73197)) (OPT HL441UC8-20 (V56878)) (OPT HL441UC8-20 (V73197)) (OPT HL441UC8-20 (V92215)) (OPT HL441UC8-20 (V08524)) (OPT HL41PY8-20 (V80539)) (OPT HL441N8-20 (V80539)) (OPT 67068-8A20 (V56878)) (OPT 67068-8A20 (V56878)) (OPT L839-8A20 (V06725))	G,H,L M	1

54-53-03

 ILLUSTRATED PARTS LIST
 01 Page 1080I
 Mar 01/04

FIG. & ITEM	PART NO.	AIRLINE PART NUMBER	NOMENCLATURE 1234567	EFF CODE	QTY PER ASSY
04-25	HL13VAZ8-17		.BOLT- (V56878) (SPEC BACB30NY8K17) (OPT HL13VAZ8-17 (V73197)) (OPT HL13VAZ8-17 (V92215)) (OPT HL13VAZ8-17 (V97928)) (OPT L801-8K17 (V06725)) (OPT HL13VAZ8-17 (V08524)) (OPT HL13V17 (V06725)) (OPT HL13VAZ8-17 (V17446))	G,H,L M	5
30	NAS1149E0463P		.WASHER	G,H,L M	2
35	H52732-4CD		.NUT- (V15653) (SPEC BACN10YR4CD) (OPT PLH54CD (V62554))	G,H,L M	1
40	HL79-8		.COLLAR- (V5M902) (SPEC BACC30M8) (OPT HL79-8 (V73197)) (OPT HL79-8 (V92215)) (OPT 66014-8 (V56878)) (OPT HL79-8 (V56878))	G,H,L M	5

54-53-03

 ILLUSTRATED PARTS LIST
 01 Page 1080J
 Mar 01/04


BOEING
 COMPONENT
 MAINTENANCE MANUAL

FIG. & ITEM	PART NO.	AIRLINE PART NUMBER	NOMENCLATURE 1234567	EFF CODE	QTY PER ASSY
04-45	BACS40R031C050F		.SHIM -----*-----	G,H,L M	1
50	P20650		..BEARING ASSY- (V57606) (SPEC S302T001-206) (OPT VTBO4450 (V06710))	G,H,L M	1
55	313T5334-3		..HINGE	G,L	1
-60	313T5334-4		..HINGE	H,M	1
65	313T5333-1		.HINGE ASSY	G,L	1
-70	313T5333-2		.HINGE ASSY	H,M	1
75	HL13VAZ8-17		ATTACHING PARTS .BOLT- (V56878) (SPEC BACB30NY8K17) (OPT HL13VAZ8-17 (V73197)) (OPT HL13VAZ8-17 (V92215)) (OPT HL13VAZ8-17 (V97928)) (OPT L801-8K17 (V06725)) (OPT HL13VAZ8-17 (V08524)) (OPT HL13V17 (V06725)) (OPT HL13VAZ8-17 (V17446))	G,H,L M	6

54-53-03

 ILLUSTRATED PARTS LIST
 01 Page 1080K
 Mar 01/04

FIG. & ITEM	PART NO.	AIRLINE PART NUMBER	NOMENCLATURE 1234567	EFF CODE	QTY PER ASSY
04-80	HL79-8		.COLLAR- (V5M902) (SPEC BACC30M8) (OPT HL79-8 (V73197)) (OPT HL79-8 (V92215)) (OPT 66014-8 (V56878)) (OPT HL79-8 (V56878))	G,H,L ,M	6
85	BACS40R031C050F		.SHIM -----*-----	G,H,L ,M	1
90	P20650		..BEARING ASSY- (V57606) (SPEC S302T001-206) (OPT VTBO4450 (V06710))	G,H,L ,M	1
95	313T5333-3		..HINGE	G,L	1
-100	313T5333-4		..HINGE	H,M	1
105	313T5332-1		.HINGE ASSY	G,L	1
-110	313T5332-2		.HINGE ASSY	H,M	1

54-53-03

 ILLUSTRATED PARTS LIST
 01 Page 1080L
 Mar 01/04

BOEING
 COMPONENT
 MAINTENANCE MANUAL

FIG. & ITEM	PART NO.	AIRLINE PART NUMBER	NOMENCLATURE 1234567	EFF CODE	QTY PER ASSY
04- 115	HL441UC8-20		ATTACHING PARTS .BOLT- (V97928) (SPEC BACB30FN8A20) (OPT HL441UC8-20 (V73197)) (OPT HL441UC8-20 (V56878)) (OPT HL441UC8-20 (V73197)) (OPT HL441UC8-20 (V92215)) (OPT HL441UC8-20 (V08524)) (OPT HL41PY8-20 (V80539)) (OPT HL441N8-20 (V80539)) (OPT 67068-8A20 (V56878)) (OPT 67068-8A20 (V56878)) (OPT L839-8A20 (V06725))	G,H,L M	1
120	HL13VAZ8-17		.BOLT- (V56878) (SPEC BACB30NY8K17) (OPT HL13VAZ8-17 (V73197)) (OPT HL13VAZ8-17 (V92215)) (OPT HL13VAZ8-17 (V97928)) (OPT L801-8K17 (V06725)) (OPT HL13VAZ8-17 (V08524)) (OPT HL13V17 (V06725)) (OPT HL13VAZ8-17 (V17446))	G,H,L M	5

54-53-03

ILLUSTRATED PARTS LIST
 01 Page 1080M
 Mar 01/04

FIG. & ITEM	PART NO.	AIRLINE PART NUMBER	NOMENCLATURE 1234567	EFF CODE	QTY PER ASSY
04-125	NAS1149E0463P		.WASHER	G,H,L M	2
130	H52732-4CD		.NUT- (V15653) (SPEC BACN10YR4CD) (OPT PLH54CD (V62554))	G,H,L M	1
135	HL79-8		.COLLAR- (V5M902) (SPEC BACC30M8) (OPT HL79-8 (V73197)) (OPT HL79-8 (V92215)) (OPT 66014-8 (V56878)) (OPT HL79-8 (V56878))	G,H,L M	5
140	BACS40R031C050F		.SHIM -----*-----	G,H,L M	1
145	P20650		..BEARING ASSY- (V57606) (SPEC S302T001-206) (OPT VTBO4450 (V06710))	G,H,L M	1
150	313T5332-3		..HINGE	G,L	1
-155	313T5332-4		..HINGE	H,M	1
160	HL13VAZ8-14		.BOLT- (V56878) (SPEC BACB30NY8K14) (OPT HL13VAZ8-14 (V73197)) (OPT HL13VAZ8-14 (V92215)) (OPT HL13VAZ8-14 (V97928)) (OPT L801-8K14 (V06725)) (OPT HL13VAZ8-14 (V08524)) (OPT HL13V14 (V06725)) (OPT HL13VAZ8-14 (V17446))	G,H,L M	12

54-53-03

 ILLUSTRATED PARTS LIST
 01 Page 1080N
 Mar 01/04


BOEING
 COMPONENT
 MAINTENANCE MANUAL

FIG. & ITEM	PART NO.	AIRLINE PART NUMBER	NOMENCLATURE 1234567	EFF CODE	QTY PER ASSY
04-165	HL79-8		.COLLAR- (V5M902) (SPEC BACC30M8) (OPT HL79-8 (V73197)) (OPT HL79-8 (V92215)) (OPT 66014-8 (V56878)) (OPT HL79-8 (V56878))	G,H,L ,M	12
170	313T3335-1		.PLATE-HINGE	G,H,L ,M	1
175	BACS40R007C020F		.SHIM	G,H,L ,M	2
180	313T5336-1		.HINGE ASSY	G,L	1
-185	313T5336-2		.HINGE ASSY	H,M	1
190	P20650		..BEARING ASSY- (V57606) (SPEC S302T001-206) (OPT VTBO4450 (V06710))	G,H,L ,M	1
195	313T5336-3		..HINGE	G,L	1
-200	313T5336-4		..HINGE	H,M	1
205	BACS40R012C021F		.SHIM	G,H,L ,M	2
206	H52732-4CM		.NUT- (V15653) (SPEC BACN10YR4CM) (OPT PLH54CM (V62554))	L,M	1
207	BACW10BP5DP		.WASHER	L,M	1
208	3502-18-04-4102		.WASHER- (V78189)	L,M	1
209	313T3350-22		.ROD ASSY-HOLD OPEN (FOR DETAILS SEE FIG. 5)	L,M	1

54-53-03

 ILLUSTRATED PARTS LIST
 01 Page 10800
 Mar 01/04

FIG. & ITEM	PART NO.	AIRLINE PART NUMBER	NOMENCLATURE 1234567	EFF CODE	QTY PER ASSY
04-210	HL13VAZ8-4		.BOLT- (V56878) (SPEC BACB30NY8K4) (OPT HL13VAZ8-4 (V73197)) (OPT HL13VAZ8-4 (V92215)) (OPT HL13VAZ8-4 (V97928)) (OPT L801-8K4 (V06725)) (OPT HL13VAZ8-4 (V08524)) (OPT HL13V4 (V06725)) (OPT HL13VAZ8-4 (V17446))	G,H,L M	8
215	HL13VAZ8-5		.BOLT- (V56878) (SPEC BACB30NY8K5) (OPT HL13VAZ8-5 (V73197)) (OPT HL13VAZ8-5 (V92215)) (OPT HL13VAZ8-5 (V97928)) (OPT L801-8K5 (V06725)) (OPT HL13VAZ8-5 (V08524)) (OPT HL13V5 (V06725)) (OPT HL13VAZ8-5 (V17446))	G,H,L M	4
217	HL10VAZ6-3		.BOLT- (V60516) (SPEC BACB30MY6K3) (OPT B30MY6K3 (V97928))	L,M	4

54-53-03

 ILLUSTRATED PARTS LIST
 01 Page 1080P
 Mar 01/04


BOEING
 COMPONENT
 MAINTENANCE MANUAL

FIG. & ITEM	PART NO.	AIRLINE PART NUMBER	NOMENCLATURE 1234567	EFF CODE	QTY PER ASSY
04-220	HL13VAZ8-5		.BOLT- (V56878) (SPEC BACB30NY8K5) (OPT HL13VAZ8-5 (V73197)) (OPT HL13VAZ8-5 (V92215)) (OPT HL13VAZ8-5 (V97928)) (OPT L801-8K5 (V06725)) (OPT HL13VAZ8-5 (V08524)) (OPT HL13V5 (V06725)) (OPT HL13VAZ8-5 (V17446)) (USED WITH ITEM 245)	G,H,L ,M	12
-220A	HL13VAZ8-7		.BOLT- (V56878) (SPEC BACB30NY8K7) (OPT HL13VAZ8-7 (V73197)) (OPT HL13VAZ8-7 (V92215)) (OPT HL13VAZ8-7 (V97928)) (OPT L801-8K7 (V06725)) (OPT HL13VAZ8-7 (V08524)) (OPT HL13V7 (V06725)) (OPT HL13VAZ8-7 (V17446)) (USED WITH ITEM 270)	G,H,L ,M	12

54-53-03

 ILLUSTRATED PARTS LIST
 01 Page 1080Q
 Mar 01/04

FIG. & ITEM	PART NO.	AIRLINE PART NUMBER	NOMENCLATURE 1234567	EFF CODE	QTY PER ASSY
04-225	HL97DU8		.COLLAR- (V73197) (SPEC BACC30AB8S) (OPT HL97DU8 (V92215)) (OPT HL97DU8 (V56878))	G,H,L ,M	8
227	HL79-6		.COLLAR- (V5M902) (SPEC BACC30M6) (OPT HL79-6 (V73197)) (OPT HL79-6 (V92215)) (OPT 66014-6 (V56878)) (OPT HL79-6 (V56878))	L,M	4
230	HL79-8		.COLLAR- (V5M902) (SPEC BACC30M8) (OPT HL79-8 (V73197)) (OPT HL79-8 (V92215)) (OPT 66014-8 (V56878)) (OPT HL79-8 (V56878))	G,H,L ,M	16
233	315T5349-7		.CHANNEL	L,M	1
235	313T5340-9		.CLIP	G,H,L ,M	1
240	313T5340-10		.CLIP	G,H,L ,M	1
245	313T5342-1		.COVER ASSY-LATCH (OPT ITEM 270)	G,H,L ,M	2
250	BACR15BB5AD		..RIVET- (SIZE DETERMINE ON INST)	G,H,L ,M	10
255	313T5342-5		..BRACKET	G,H,L ,M	1

54-53-03

 ILLUSTRATED PARTS LIST
 01 Page 1080R
 Mar 01/04


BOEING
 COMPONENT
 MAINTENANCE MANUAL

FIG. & ITEM	PART NO.	AIRLINE PART NUMBER	NOMENCLATURE 1234567	EFF CODE	QTY PER ASSY
04-260	313T5342-3		..BRACKET	G,H,L M	1
265	313T5342-4		..BRACKET	G,H,L M	1
270	313T5342-7		.COVER-LATCH (OPT ITEM 245)	G,H,L M	2
275	BACF3H08RP056HN		.FILLER- (USED WITH ITEM 270)	G,H,L M	4
280	9781		.LATCH ASSY- (V84256) (SPEC S313T501-1) (OPT ITEM 280A)	G,H	4
-280A	9781-2		.LATCH ASSY- (V84256) (SPEC S313T501-2) (OPT ITEM 280)	G,H	4
281	313T5340-35		.KIT ASSY-SUB (OPT ITEM 281A)	L	1
-281A	313T5340-36		.KIT ASSY-SUB (OPT ITEM 281)	L	1
-282	313T5340-37		.KIT ASSY-SUB (OPT ITEM 282A)	M	1
-282A	313T5340-38		.KIT ASSY-SUB (OPT ITEM 282)	M	1
283	9781		..LATCH ASSY- (V84256) (SPEC S313T501-1) (USED ON ITEMS 281, 282)	L,M	4
-284	9781-2		..LATCH ASSY- (V84256) (SPEC S313T501-2) (USED ON ITEMS 281A, 282A)	L,M	4
285	BACS40R009W054		.SHIM	G,H,L M	8
290	313T5341-35		DELETED		
-295	313T5341-36		DELETED		

54-53-03

 ILLUSTRATED PARTS LIST
 01 Page 1080S
 Mar 01/04

FIG. & ITEM	PART NO.	AIRLINE PART NUMBER	NOMENCLATURE 1234567	EFF CODE	QTY PER ASSY
04-300	HL1012AZ6-3		.BOLT- (V97928) (SPEC BACB30NX6K3) (OPT HL12VAZ6-3 (V73197)) (OPT HL12VAZ6-3 (V92215)) (OPT HL12VAZ6-3 (V97928)) (OPT L802-6K3 (V06725)) (OPT HL12VAZ6-3 (V56878)) (OPT HL1012AZ6-3 (V0PTK6)) (OPT HL1012AZ6-3 (V06725)) (OPT HL1012AZ6-3 (V06950)) (OPT HL1012AZ6-3 (V17446)) (OPT HL1012AZ6-3 (V56878)) (OPT HL1012AZ6-3 (V60516)) (OPT HL1012AZ6-3 (V73197))	L,M	1
305	HL79-6		.COLLAR- (V5M902) (SPEC BACC30M6) (OPT HL79-6 (V73197)) (OPT HL79-6 (V92215)) (OPT 66014-6 (V56878)) (OPT HL79-6 (V56878))	L,M	1
310	66-8350		.CLIP-SPR	L,M	1

54-53-03

 ILLUSTRATED PARTS LIST
 01 Page 1080T
 Mar 01/04


BOEING
 COMPONENT
 MAINTENANCE MANUAL

FIG. & ITEM	PART NO.	AIRLINE PART NUMBER	NOMENCLATURE 1234567	EFF CODE	QTY PER ASSY
04-315	BA3-2		. TERMINAL- (V65196) (SPEC BACT14B2) (OPT HT200-2 (V83014)) (OPT RA2487-2 (V80523)) (OPT HI2487-2 (V26590)) (OPT 8-04056-2 (V11328)) (OPT BM2487-2 (V22277))	L,M	1
320	313T3349-23		. CABLE ASSY (OPT ITEM 320A)	L,M	1
-320A	313T3349-6		. CABLE ASSY- (OPT ITEM 320)	L,M	1
325	CL4F		.. FERRULE- (V99862) (SPEC BACF22U2) (OPT 325167 (V00779))	L,M	1
330	21471		.. PIN- (V00724)	L,M	1
335	313T3349-4		.. CABLE	L,M	1
340	HL11VAZ6-12		. BOLT- (V60516) (SPEC BACB30NW6K12) (OPT B30NW6K12 (V97928)) (OPT HL11VAZ6-12 (V73197)) (OPT HL11VAZ6-12 (V92215)) (OPT HL11VAZ6-12 (V97928)) (OPT L803-6K12 (V06725)) (OPT HL11VAZ6-12 (V0PTK6)) (OPT HL11VAZ6-12 (V56878))	L,M	2

54-53-03

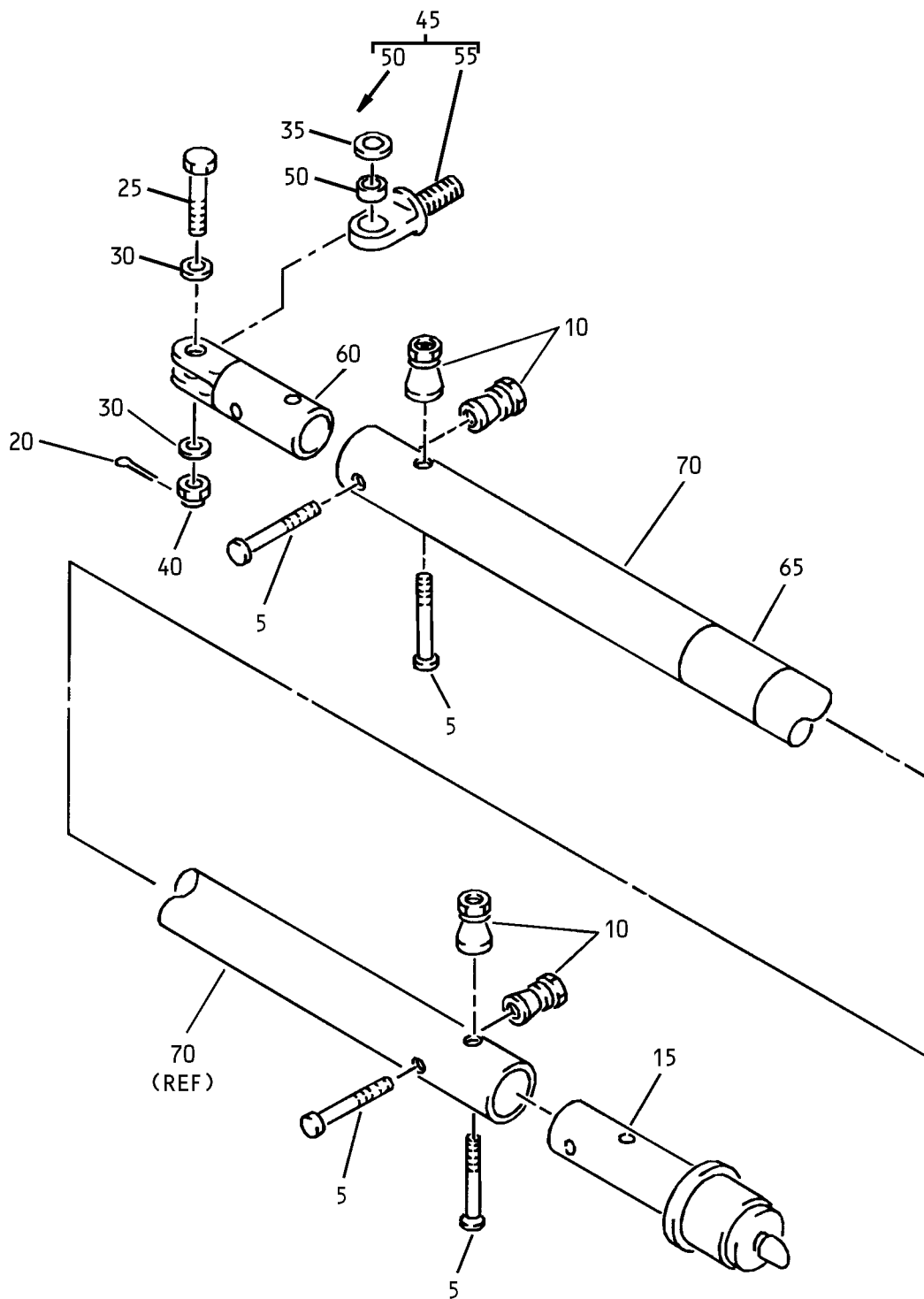
 ILLUSTRATED PARTS LIST
 01 Page 1080U
 Mar 01/04

FIG. & ITEM	PART NO.	AIRLINE PART NUMBER	NOMENCLATURE	EFF CODE	QTY PER ASSY
			1234567		
04-345	HL79-6		.COLLAR- (V5M902) (SPEC BACC30M6) (OPT HL79-6 (V73197)) (OPT HL79-6 (V92215)) (OPT 66014-6 (V56878)) (OPT HL79-6 (V56878))	L,M	2
350	313T3351-5		.CLIP	L	1
-355	313T3351-6		.CLIP	M	1
360	313T5341-35		.PANEL ASSY-DOOR	G,L	1
-365	313T5341-36		.PANEL ASSY-DOOR	H	1

- Item Not Illustrated

54-53-03

ILLUSTRATED PARTS LIST
 01 Page 1080V
 Mar 01/04



Hold Open Rod Assembly
Figure 5

54-53-03

ILLUSTRATED PARTS LIST
01 Page 1080X
Mar 01/04


BOEING
 COMPONENT
 MAINTENANCE MANUAL

FIG. & ITEM	PART NO.	AIRLINE PART NUMBER	NOMENCLATURE 1234567	EFF CODE	QTY PER ASSY
05-					
-1A	313T3350-21		ROD ASSY-HOLD OPEN	J,K	RF
-1B	313T3350-22		ROD ASSY-HOLD OPEN	L,M	RF
5	HL10VAZ5-12		.BOLT- (V60516) (SPEC BACB30MY5K12) (OPT B30MY5K12 (V97928))	J-M	4
10	HL79-5		.COLLAR- (V5M902) (SPEC BACC30M5) (OPT HL70-5 (V73197)) (OPT HL70-5 (V92215)) (OPT 66014-5 (V56878)) (OPT HL70-5 (V56878))	J-M	4
15	IL278-2		.LOCK ASSY- (V08844)	J-M	1
20	MS24665-153		.PIN-COTTER	J-M	1
25	NAS6704D7		.BOLT- (OPT ITEM 25A)	J-M	1
-25A	HL10VAZ5-12		.BOLT- (V60516) (SPEC BACB30MY5K12) (OPT B30MY5K12 (V97928)) (OPT ITEM 25)	J-M	1
30	AN960C416L		.WASHER	J-M	2
35	3539-14-02-4102		.WASHER-SPR (V78189)	J-M	2
40	BACN10JD4ASU		.NUT	J-M	1
45	66-23351-8		.BOLT ASSY-EYE	J-M	1
50	BACB28Y4F018		..BUSHING	J-M	1
55	66-23351-7		..BOLT	J-M	1
60	63-2892-2		.END-ROD	J-M	1
65	313T3350-6		.SLEEVE-SHRINK	J-M	1
70	313T3350-17		.ROD	J,K	1

54-53-03

 ILLUSTRATED PARTS LIST
 01 Page 1080Y
 Mar 01/04

FIG. & ITEM	PART NO.	AIRLINE PART NUMBER	NOMENCLATURE	EFF CODE	QTY PER ASSY
05-75	313T3350-18		.ROD	L,M	1

- Item Not Illustrated

54-53-03

ILLUSTRATED PARTS LIST
 01 Page 1080Z
 Mar 01/04